



## ROBOTICS

---

TORCHES AND ACCESSORIES  
FOR ARC WELDING  
**MIG / MAG - TIG**

---

GENERAL  
CATALOGUE  
**2026**

[www.delfoweld.com](http://www.delfoweld.com)



PREMIUM QUALITY  

---

**MADE IN ITALY**



QUALITY & DESIGN

ALWAYS OUR

HISTORY

PREMIUM QUALITY

MADE IN ITALY



## ABOUT US

"DELFO S.r.l." it's a new name proposed by a board that started operating in this sector in 1973 founding OCIM S.r.l. (first Italian manufacturer of Mig-Tig torches)

The aim of the new company will be the development of new products in order to maintain and further overcome the quality standard that has always distinguished us.

## PRODUCTION

Thanks to the passion and experience gained over 50 years in welding market, we can define Delfo as a leader in the design and construction of special torches, both Air and Water cooled, with unique characteristics that meet the welder's needs.

## DISTRIBUTION

Delfo's products are distributed through a dense network of specialized welding dealers.

## INNOVATION

Innovation and quality are the foundations on which the company is focused, to achieve these objectives Delfo S.r.l. invests significant human and financial resources in the development of new products in order to offer advanced technical solutions.

## TABLE OF CONTENTS

### DELFOROBOT TORCHES

#### AIR AND LIQUID COOLED TORCHES DRA-DRW SERIES

<b>DRA. 30</b>	8
<b>DRW. 28</b>	10
<b>DRW. 34</b>	12
<b>DRW. 50</b>	14
<b>DRW. 55</b>	16
<b>DRW. 20</b>	18

### DELFOROBOT CABLE ASSEMBLIES

#### CABLE ASSEMBLIES

<b>COAXIAL CABLE for robot torches</b>	20
<b>COAXIAL CABLE for automation torches</b>	21
<b>ROBOT CABLE ASSEMBLIES</b>	22
<b>AUTOMATION CABLE ASSEMBLIES</b>	23
<b>SUPPORTS CONFIGURATION AND ROBOT ACCESSORIES</b>	24

### DELFOROBOT SUPPORTS AND TCP GEOMETRIES

<b>ADJUSTABLE SUPPORT FOR DRA/DRW TORCH SERIES</b>	27
<b>FIXED SUPPORT FOR DRA/DRW TORCH SERIES</b>	28

### DELFOROBOT ANTISHOCK "AWS"

<b>REPLACEMENT PARTS "AWS"</b>	30
<b>MOBILE SUPPORT for DRA-DRW-WRT torch series</b>	31

### DELFOROBOT TORCHES

#### AIR AND LIQUID COOLED TORCHES WRT SERIES

<b>TORCHES FOR ROBOT AND AUTOMATION</b>	32
<b>WRT. 35</b>	34-35
<b>WRT. 45</b>	36-37
<b>WRT. 36</b>	38-39
<b>WRT. 50</b>	40-41
<b>WRT. 65</b>	42-43
<b>ART. 30</b>	44-45
<b>WRTS. 20</b>	46-47
<b>OTHER CONTACT TIPS AVAILABLE</b>	48

### DELFOROBOT AUTO - TIG TORCHES

<b>TORCHES FOR ROBOT &amp; AUTOMATION</b>	50
<b>ANTISHOCK &amp; MOBILE SUPPORT FOR TIG TORCHES</b>	51

PER TUTTE LE NOSTRE NOVITÀ



# TORCHES LIQUID/AIR

PREMIUM QUALITY

MADE IN ITALY



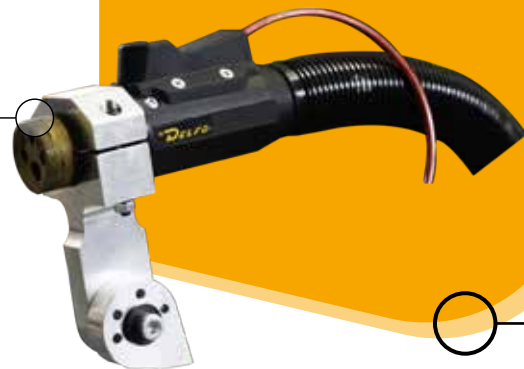
# SYSTEM OVERVIEW

NEW SERIES  
**DRA - DRW**



**TORCH NECKS  
CONNECTION**

02



**AIR AND LIQUID COOLED  
TORCH NECKS**

01



# 03

## MACHINE SIDE CONNECTION



### 2 Mobile and Fixed support

**DRA - DRW - WRT torches series**

Aplicable on Robot and Cobot



### 1 Necks model:

**DRA 30**, air cooled

**DRW 28**, liquid cooled

**DRW 34**, liquid cooled

**DRW 50**, liquid cooled

**DRW 55**, liquid cooled

# DRA.30 - DELFOROBOT - AIR

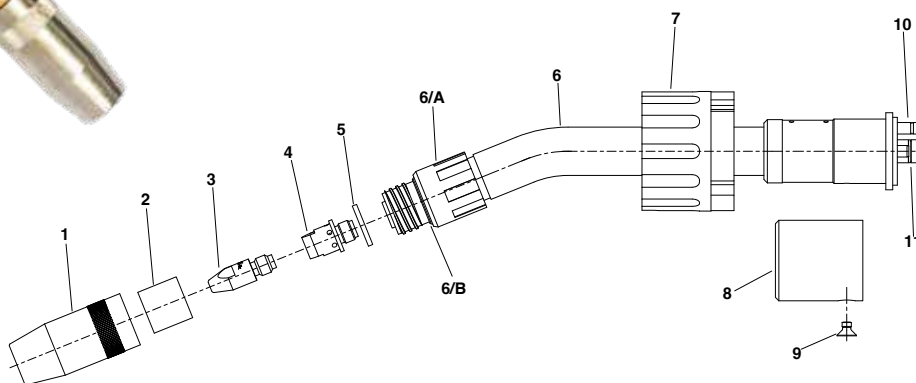
## TORCH NECKS AIR COOLED



### TECHNICAL DATA

<b>Technical data:</b>	(EN60974-7)
<b>Rating CO<sub>2</sub>:</b>	300A.
<b>Rating mixed Gas (M21):</b>	250 A.
<b>Duty Cycle:</b>	100%
<b>Wire Size:</b>	Ø 0,8-1,2 mm

\*Rating data determined under normal conditions at low to medium reflected heat, free air circulation and at 28°C ambient temperature. When used under more difficult conditions, the rating data must be reduced by 10-20%. The rating data are reduced up to 35% for pulse arc welding.



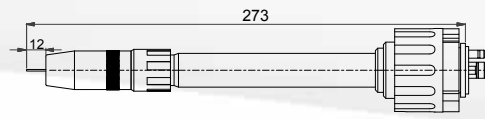
### SPARE PARTS LIST

POS.	DESCRIPTION	PART. NO.	BAG
1*	Gas nozzle øi.15,5 length 53 mm	179.105.150	5
1	Gas nozzle øi.13 length 53 mm	179.105.151	5
1	Cylindric nozzle øi.19 length 53 mm	179.104.150	5
2	Nozzle insulator	103.102.103	5
3	Contact tip M8x30 Cu-Cr-Zr ø 0,8	147.020.308	25
3	Punta guidafile M8x30 Cu-Cr-Zr ø 1,0	147.053.010	25
3	Contact tip M8x30 Cu-Cr-Zr CALIBRATED HOLE ø 1,1	147.053.011	25
3*	Contact tip M8x30 Cu-Cr-Zr ø 1,2	147.053.012	25
4	Gas diffuser	118.103.109	5
5	Insulating ring	151.103.106	10
6/A	Nozzle holder	150.112.109	-
6/B	OR Viton	101.102.207	10
6	Torch body 0°	216.003.603	-
6	Torch body 22° standard	216.223.603	-
6	Torch body 22° L (+150)	216.223.613	-
6	Torch body 35° standard	216.353.603	-
6	Torch body 35° L (+150)	216.353.613	-
6	Torch body 45° standard	216.453.603	-
6	Torch body 45° L (+150)	216.453.613	-
7	Torch body locking ring	127.101.100	-
8	Central body protection	137.106.108	-
9	Screw front insulating support	181.106.102	-
10	O-Ring øi. 3x1	101.102.117	10
11	O-Ring øi. 8x1	101.102.122	10

(\*) Standard

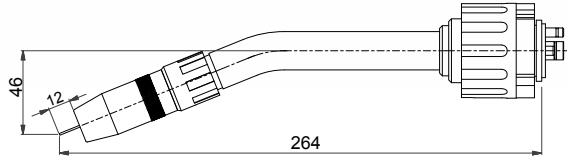
**TORCH NECKS**

**PART.NO.**



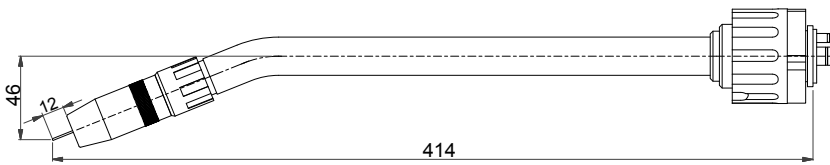
0°

283.004.210



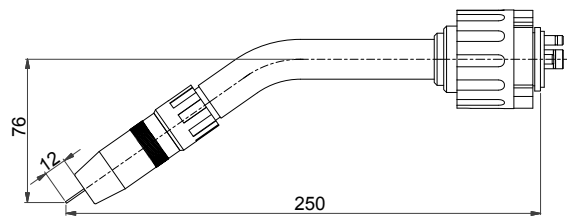
22°

283.224.210



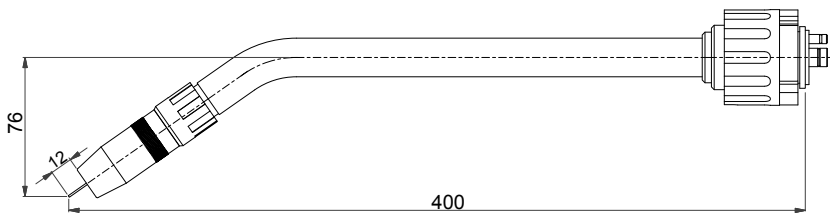
22°L

283.224.211



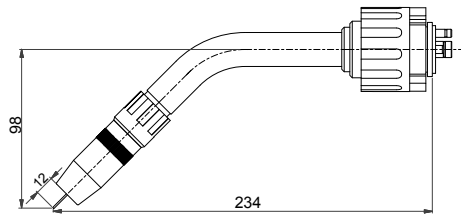
35°

283.354.210



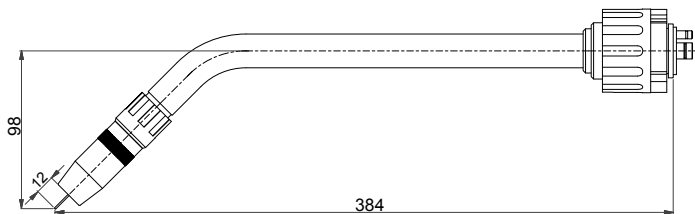
35°L

283.354.211



45°

283.454.210



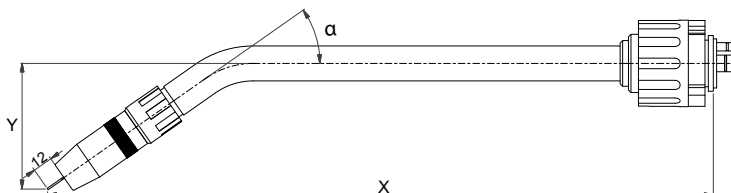
45°L

283.454.211

**IMPORTANT**



**Design and Manufacture** of special torches with lengths and angles on request.



# DRW.28 - DELFORROBOT - LIQUID

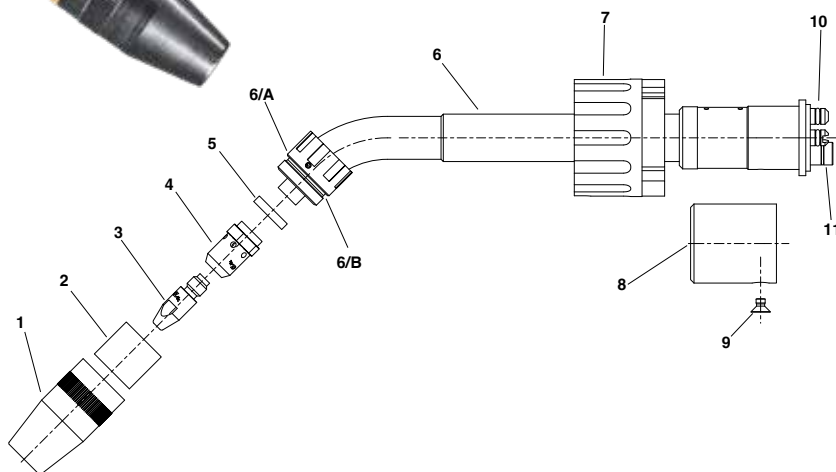
## TORCH NECKS LIQUID COOLED



### TECHNICAL DATA

<b>Technical data:</b>	(EN60974-7)
<b>Rating CO<sup>2</sup>:</b>	280A.
<b>Rating mixed Gas (M21):</b>	230 A.
<b>Duty Cycle:</b>	100%
<b>Wire Size:</b>	Ø 0,8-1,2 mm

\*Rating data determined under normal conditions at low to medium reflected heat, free air circulation and at 28°C ambient temperature. When used under more difficult conditions, the rating data must be reduced by 10-20%. The rating data are reduced up to 35% for pulse arc welding.



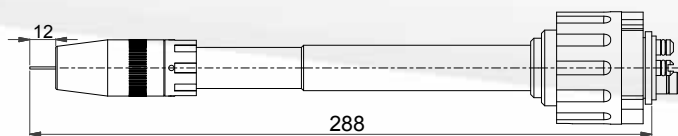
### SPARE PARTS LIST

POS.	DESCRIPTION	PART. NO.	BAG
1*	Gas nozzle ø1,5,5 length 50 mm	179.105.161	5
1	Gas nozzle ø1,3 length 50 mm	179.105.160	5
2	Nozzle insulator	103.102.102	5
3	Contact tip M8x30 Cu-Cr-Zr ø 0,8	147.020.308	25
3	Contact tip M8x30 Cu-Cr-Zr ø 1,0	147.053.010	25
3	Contact tip M8x30 Cu-Cr-Zr CALIBRATED HOLE ø 1,1	147.053.011	25
3*	Contact tip M8x30 Cu-Cr-Zr ø 1,2	147.053.012	25
4	Gas diffuser	118.103.106	5
5	Insulating ring	151.105.106	10
6/A	Nozzle holder	150.112.110	-
6/B	OR Viton	101.102.214	10
6	Torch body 0°	216.005.103	-
6	Torch body 22° standard	216.225.103	-
6	Torch body 35° standard	216.355.103	-
6	Torch body 45° standard	216.455.103	-
6	Torch body 60° standard	216.605.103	-
7	Torch body locking ring	127.101.100	-
8	Central body protection	137.106.108	-
9	Screw front insulating support	181.106.102	-
10	O-Ring OR 2015	101.102.112	10
11	O-Ring øi. 8x1	101.102.122	10

(\*) Standard

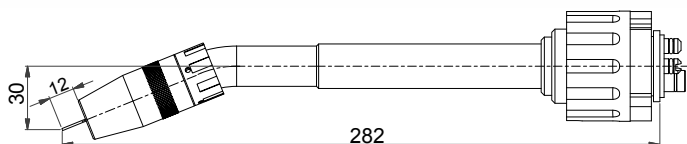
**TORCH NECKS**

**PART.NO.**



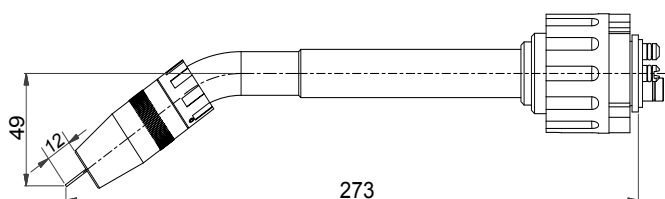
0°

282.006.110



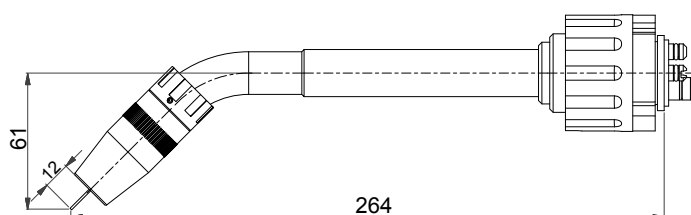
22°

282.226.110



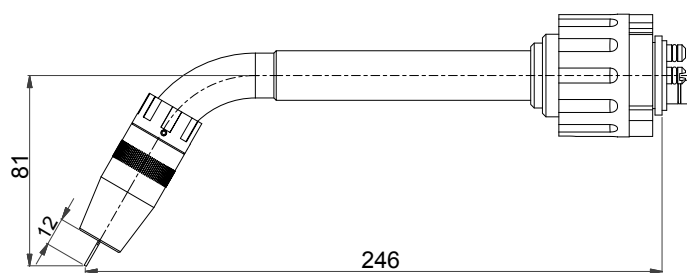
35°

282.356.110



45°

282.456.110



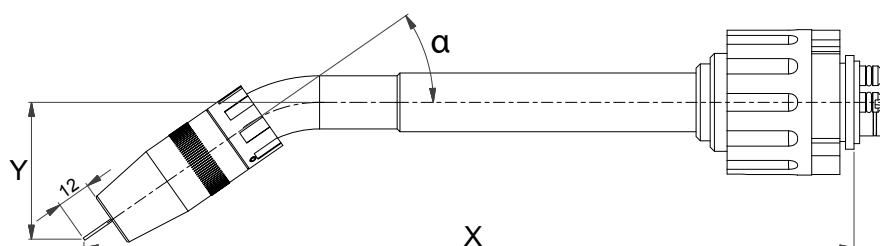
60°

282.606.110

**IMPORTANT**



**Design and Manufacture** of special torches with lengths and angles on request.



# DRW.34 - DELFOROBOT - LIQUID

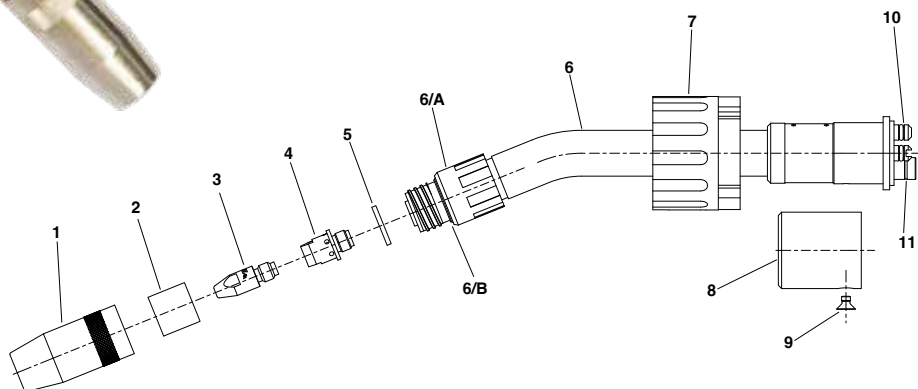
## TORCH NECKS LIQUID COOLED



### TECHNICAL DATA

<b>Technical data:</b>	(EN60974-7)
<b>Rating CO<sup>2</sup>:</b>	340A.
<b>Rating mixed Gas (M21):</b>	300 A.
<b>Duty Cycle:</b>	100%
<b>Wire Size:</b>	Ø 0,8-1,2 mm

\*Rating data determined under normal conditions at low to medium reflected heat, free air circulation and at 28°C ambient temperature. When used under more difficult conditions, the rating data must be reduced by 10-20%. The rating data are reduced up to 35% for pulse arc welding.



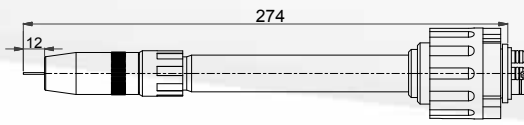
### SPARE PARTS LIST

POS.	DESCRIPTION	PART. NO.	BAG
1*	Gas nozzle øi.15,5 length 53 mm	179.105.150	5
1	Gas nozzle øi.13 length 53 mm	179.105.151	5
1	Cylindric nozzle øi.19 length 53 mm	179.104.150	5
2	Nozzle insulator	103.102.103	5
3	Contact tip M8x30 Cu-Cr-Zr ø 0,8	147.020.308	25
3	Contact tip M8x30 Cu-Cr-Zr ø 1,0	147.053.010	25
3	Contact tip M8x30 Cu-Cr-Zr CALIBRATED HOLE ø 1,1	147.053.011	25
3*	Contact tip M8x30 Cu-Cr-Zr ø 1,2	147.053.012	25
4	Gas diffuser	118.103.109	5
5	Insulating ring	151.103.106	5
6/A	Nozzle holder	150.112.109	-
6/B	OR Viton	101.102.207	10
6	Torch body 0°	216.005.404	-
6	Torch body 22° standard	216.225.404	-
6	Torch body 22° L (+150)	216.225.424	-
6	Torch body 35° standard	216.355.404	-
6	Torch body 35° L (+150)	216.355.424	-
6	Torch body 45° standard	216.455.404	-
6	Torch body 45° L (+150)	216.455.424	-
7	Torch body locking ring	127.101.100	-
8	Central body protection	137.106.108	-
9	Screw front insulating support	181.106.102	-
10	O-Ring OR 2015	101.102.104	10
11	O-Ring øi. 8x1	101.102.122	10

(\*) Standard

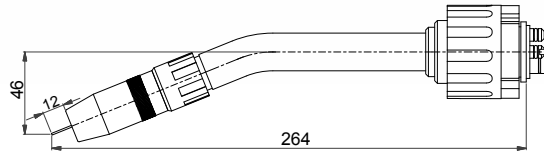
**TORCH NECKS**

**PART.NO.**



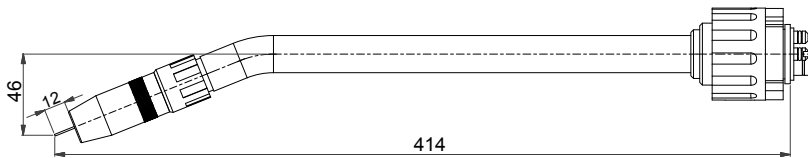
0°

282.004.410



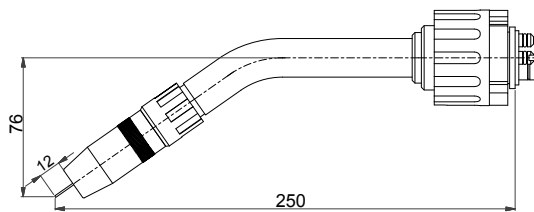
22°

282.224.410



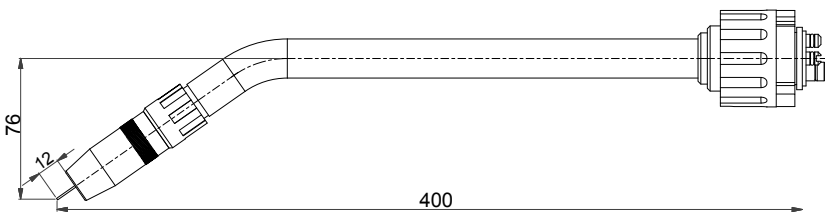
22°L

282.224.412



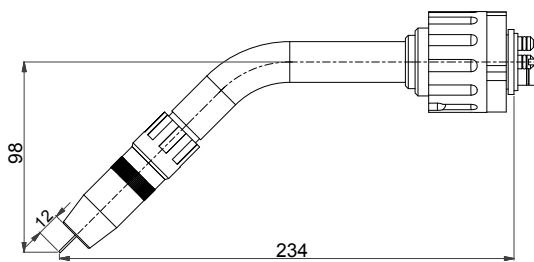
35°

282.354.410



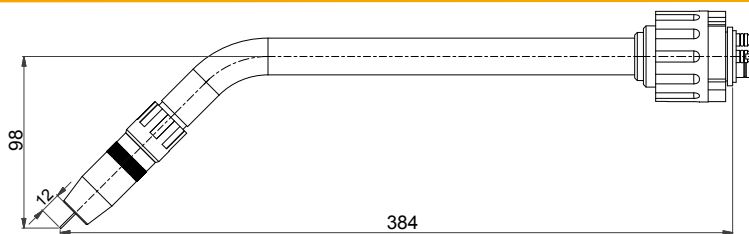
35°L

282.354.412



45°

282.454.410



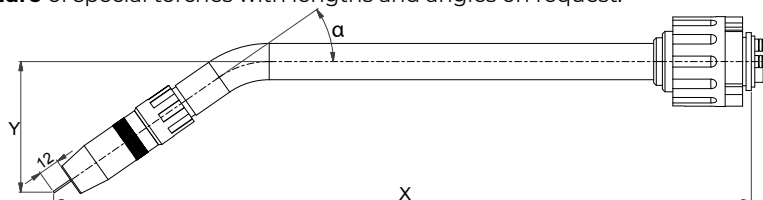
45°L

282.454.412

**IMPORTANT**



**Design and Manufacture** of special torches with lengths and angles on request.



# DRW.50 - DELFOROBOT - LIQUID

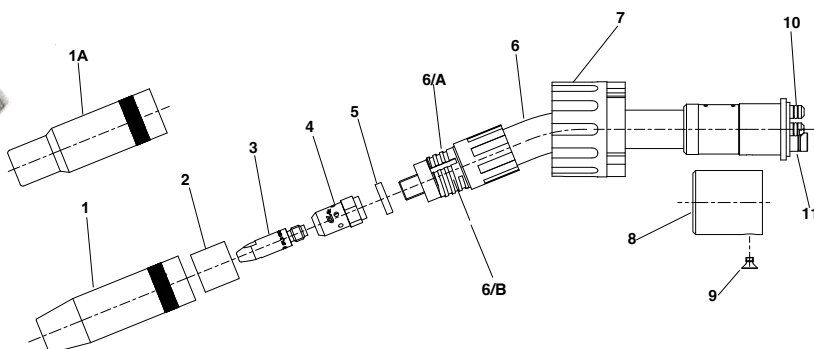
## TORCH NECKS LIQUID COOLED



### TECHNICAL DATA

<b>Technical data:</b>	(EN60974-7)
<b>Rating CO<sub>2</sub>:</b>	500A.
<b>Rating mixed Gas (M21):</b>	480 A.
<b>Duty Cycle:</b>	100%
<b>Wire Size:</b>	Ø 0,8-1,6 mm

\*Rating data determined under normal conditions at low to medium reflected heat, free air circulation and at 28°C ambient temperature. When used under more difficult conditions, the rating data must be reduced by 10-20%. The rating data are reduced up to 35% for pulse arc welding.

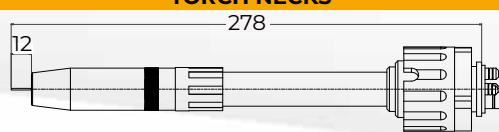


### SPARE PARTS LIST

POS.	DESCRIPTION	PART. NO.	BAG
1*	Conic nozzle øi.15,5 length 85 mm	179.105.142	5
1	Conic nozzle øi.13 length 85 mm	179.105.143	5
1	Cylindric nozzle øi. 20 length 85 mm	179.104.136	5
1/A	Gas nozzle øi.15,5 length 85 mm	179.105.140	5
1/A	Gas nozzle øi.13 length 85 mm	179.105.141	5
2	Nozzle insulator	103.102.102	5
3	Contact tip M8x40 Cu-Cr-Zr ø 0,8	147.020.108	25
3	Contact tip M8x40 Cu-Cr-Zr ø 1,0	147.054.010	25
3	Contact tip M8x40 Cu-Cr-Zr CALIBRATED HOLE ø 1,1	147.054.011	25
3*	Contact tip M8x40 Cu-Cr-Zr ø 1,2	147.054.012	25
3	Contact tip M8x40 Cu-Cr-Zr CALIBRATED HOLE ø 1,3	147.054.013	25
3	Contact tip M8x40 Cu-Cr-Zr ø 1,6	147.054.016	25
4	Gas diffuser	118.103.111	5
5	Insulating ring	151.105.106	10
6/A	Nozzle holder	150.112.113	-
6/B	OR Viton	101.102.214	10
6	Torch body 0°	216.005.406	-
6	Torch body 22° standard	216.225.406	-
6	Torch body 22° L (+150)	216.225.426	-
6	Torch body 35° standard	216.355.406	-
6	Torch body 35° L (+150)	216.355.426	-
6	Torch body 45° standard	216.455.406	-
6	Torch body 45° L (+150)	216.455.426	-
7	Torch body locking ring	127.101.100	-
8	Central body protection	137.106.108	-
9	Screw front insulating support	181.106.102	-
10	O-Ring OR 2015	101.102.104	10
11	O-Ring øi. 8x1	101.102.122	10

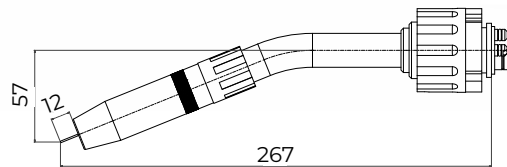
**TORCH NECKS**

**PART.NO.**



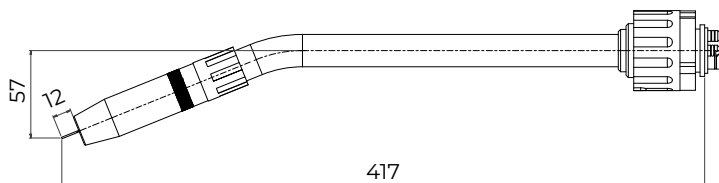
0°

282.009.400



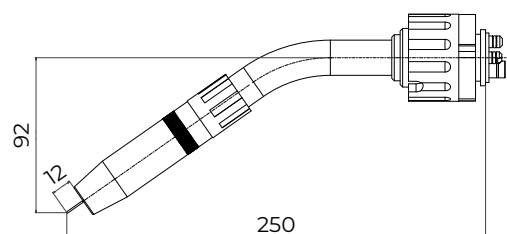
22°

282.229.400



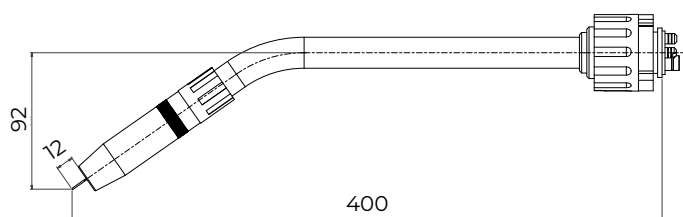
22°L

282.229.405



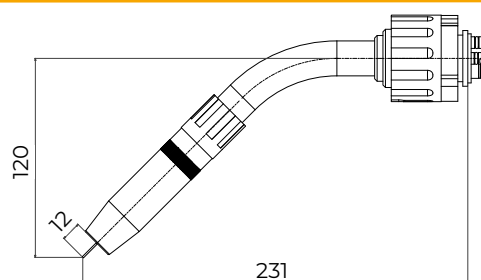
35°

282.359.400



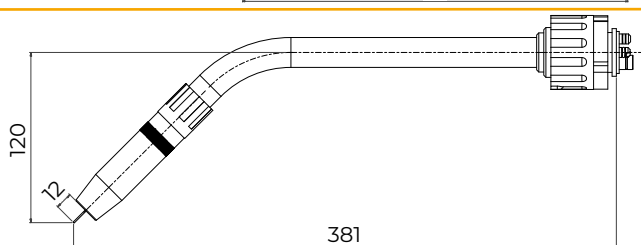
35°L

282.359.405



45°

282.459.400



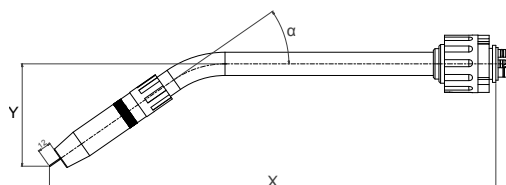
45°L

282.459.405

**IMPORTANT**

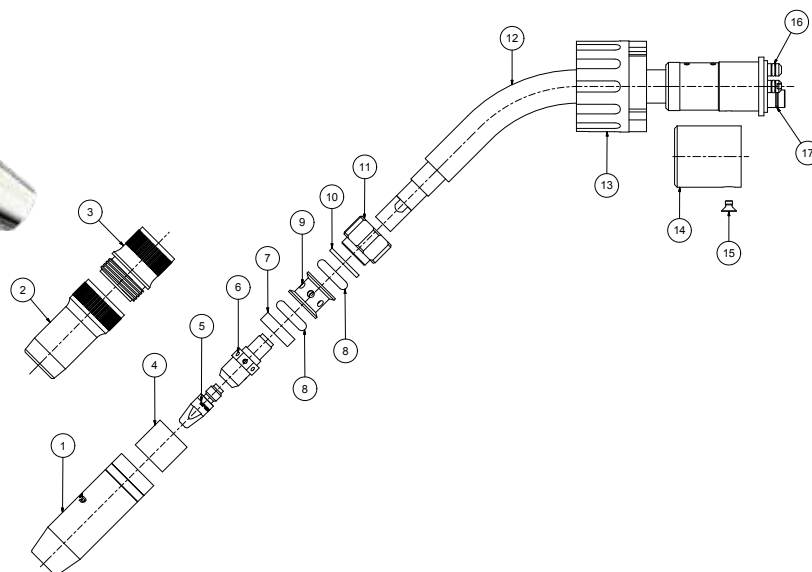


**Design and Manufacture** of special torches with lengths and angles on request.



# DRW.55 - DELFOROBOT - LIQUID

## TORCH NECKS LIQUID COOLED



### TECHNICAL DATA

<b>Technical data:</b>	(EN60974-7)
<b>Rating CO<sub>2</sub>:</b>	550 A.
<b>Rating mixed Gas (M21):</b>	500 A.
<b>Duty Cycle:</b>	100%
<b>Wire Size:</b>	Ø 0,8-1,6 mm

\*Rating data determined under normal conditions at low to medium reflected heat, free air circulation and at 28°C ambient temperature. When used under more difficult conditions, the rating data must be reduced by 10-20%. The rating data are reduced up to 35% for pulse arc welding.

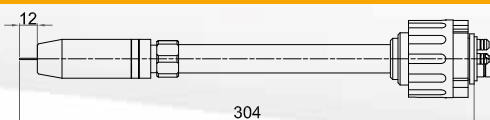
### SPARE PARTS LIST

POS.	DESCRIPTION	PART. NO.	BAG
1*	Gas nozzle øi. 15,5 length 76	179.109.115	5
1	Gas nozzle øi. 13 length 76	179.109.106	5
1	Nozzle øi. 15,5 with cavity length 76 mm	179.111.101	1
2	Front nozzle øi. 17 (Optional)	179.102.102	5
3	Back nozzle (Optional)	179.108.102	5
4	Nozzle insulator	103.102.102	5
5	Contact tip M8x30mm Cu-Cr-Zr Ø 1,0	147.053.010	25
5	Contact tip M8x30mm Cu-Cr-Zr CALIBRATED HOLE Ø 1,1	147.053.011	25
5*	Contact tip M8x30mm Cu-Cr-Zr Ø 1,2	147.053.012	25
5	Contact tip M8x30mm Cu-Cr-Zr CALIBRATED HOLE Ø 1,3	147.053.013	25
5	Contact tip M8x30mm Cu-Cr-Zr Ø 1,6	147.053.016	25
6	Gas diffuser	118.103.103	5
7	Insulating support ring	151.104.104	10
8	Rubber O ring	135.101.103	10
9	Water distributor	119.101.103	10
10	Pressure ring	151.103.104	10
11	Torch body locking ring	127.101.103	5
12	Torch body 0° standard	216.004.401	-
12	Torch body 0° L (+150)	216.004.421	-
12	Torch body 22° standard	216.224.401	-
12	Torch body 22° L (+150)	216.224.421	-
12	Torch body 35° standard	216.354.401	-
12	Torch body 35° L (+150)	216.354.421	-
12	Torch body 45° standard	216.454.401	-
12	Torch body 45° L (+150)	216.454.421	-
13	Torch body locking ring	127.101.100	-
14	Central body protection	137.106.108	-
15	Screw front insulating support M.5x8	181.106.102	-
16	O-Ring OR 2015	101.102.104	10
17	O-Ring øi. 8x1	101.102.122	10

(\*) Standard

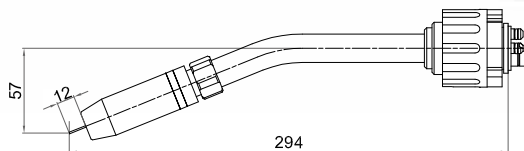
**TORCH NECKS**

**PART.NO.**



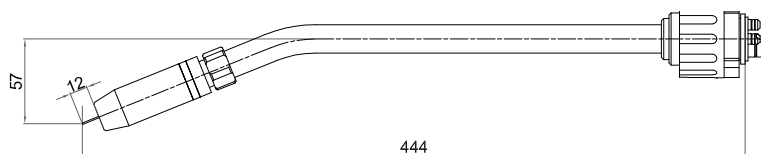
0°

281.004.401



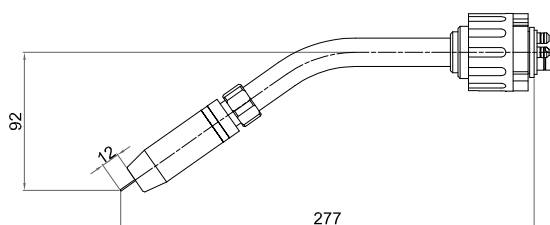
22°

281.224.401



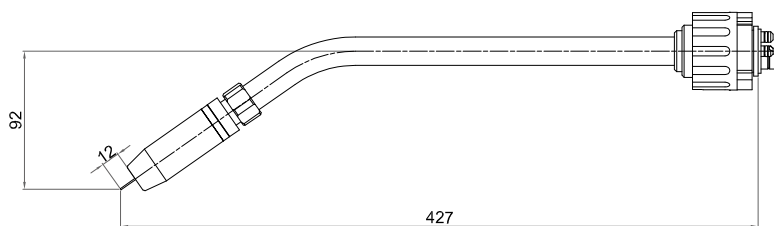
22°L

281.224.405



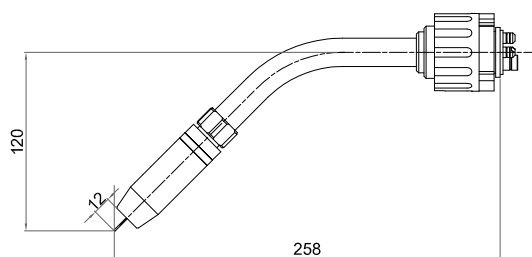
35°

281.354.401



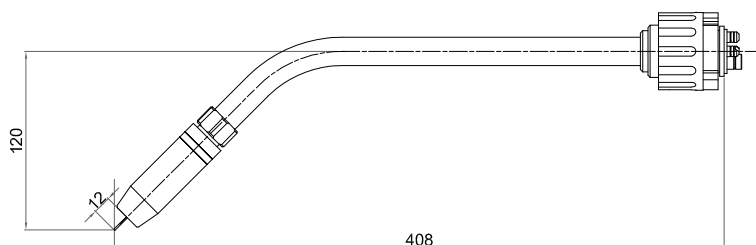
35°L

281.354.405



45°

281.454.401



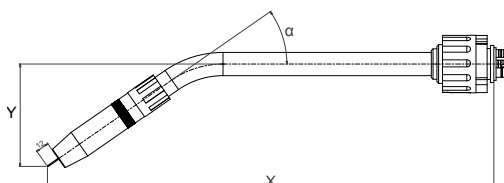
45°L

281.454.405

**IMPORTANT**



**Design and Manufacture** of special torches with lengths and angles on request.



# DRW.20 - DELFOROBOT - LIQUID

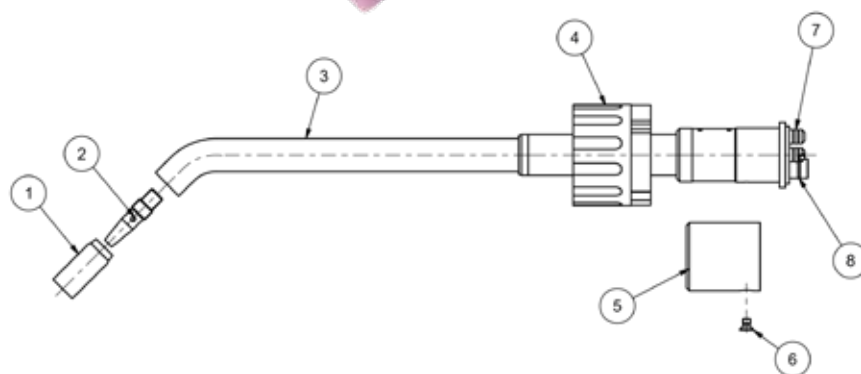
## TORCH NECKS LIQUID COOLED



### TECHNICAL DATA

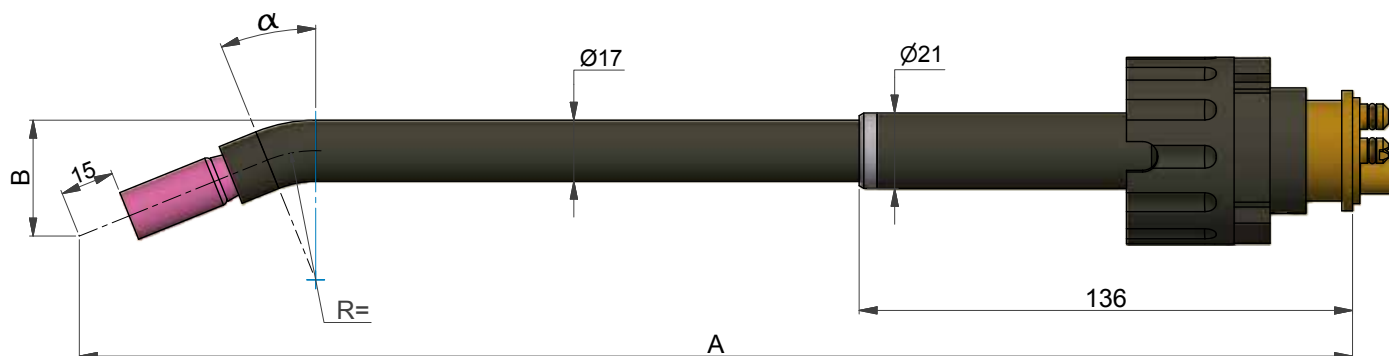
<b>Technical data:</b>	(EN60974-7)
<b>Rating CO<sub>2</sub>:</b>	200A.
<b>Rating mixed Gas (M21):</b>	150 A.
<b>Duty Cycle:</b>	100%
<b>Wire Size:</b>	Ø 0,8-1,2 mm

\*Rating data determined under normal conditions at low to medium reflected heat, free air circulation and at 28°C ambient temperature. When used under more difficult conditions, the rating data must be reduced by 10-20%. The rating data are reduced up to 35% for pulse arc welding.

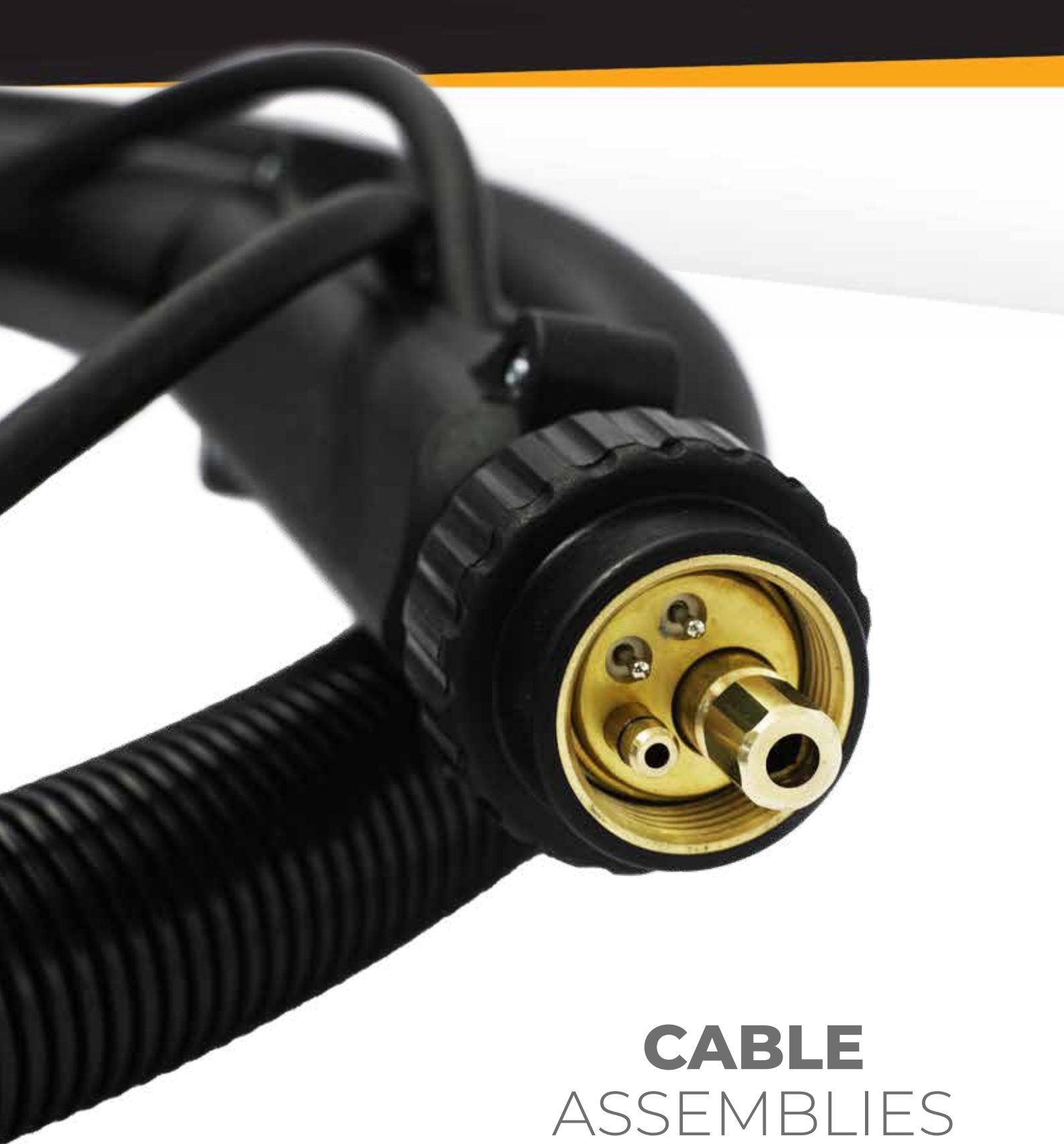


### SPARE PARTS LIST

POS.	DESCRIPTION	PART. NO.	BAG
1	Allumina cup øi.9,8 gr.6 13N10	379.102.106	10
1	Allumina cup øi.11,2 gr.7 13N11	379.102.107	10
1	Allumina cup øi.12,7 gr.8 13N12	379.102.108	10
1	Allumina cup øi.15,7 gr.10 13N13	379.102.110	10
2	Contact tip & gas diffuser for wires ø 0,8	147.070.108	5
2	Contact tip & gas diffuser for wires ø 1,0	147.070.110	5
2	Contact tip & gas diffuser for wires ø 1,2	147.070.112	5
2	Contact tip & gas diffuser for wires ø 1,6	147.070.116	5
3	Torch body on request	216.---.---*	-
4	Torch body locking ring	127.101.100	-
5	Central body protection	137.106.108	-
6	Screw front insulating support	181.106.102	-
7	O-Ring OR 2015	101.102.112	10
8	O-Ring øi. 8x1	101.102.122	10



\* Design and manufacture of special torches with lengths and angles on request



# CABLE ASSEMBLIES

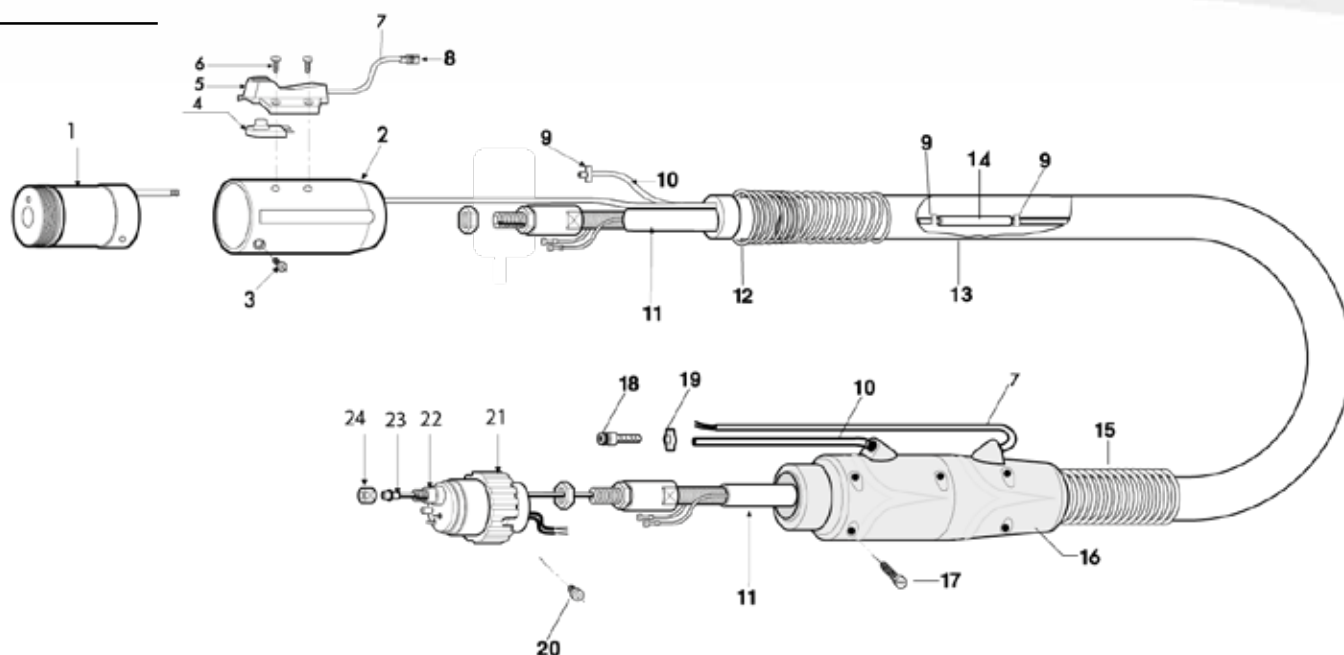
---

PREMIUM QUALITY

MADE IN ITALY

# COAXIAL CABLE

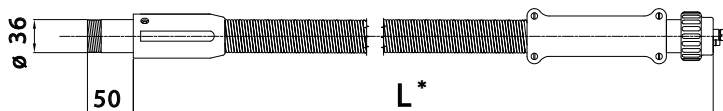
FOR ROBOT TORCHES AIR COOLED MOD. DRA



## COAXIAL CABLE ASSEMBLIES

LENGTH ON REQUEST

POS.	PART. NO.	L(m)
1-24	108.521.102	1,0
1-24	108.521.132	1,3
1-24	108.521.152	1,5
1-24	108.521.202	2,0
1-24	108.521.252	2,5
1-24	108.521.302	3,0



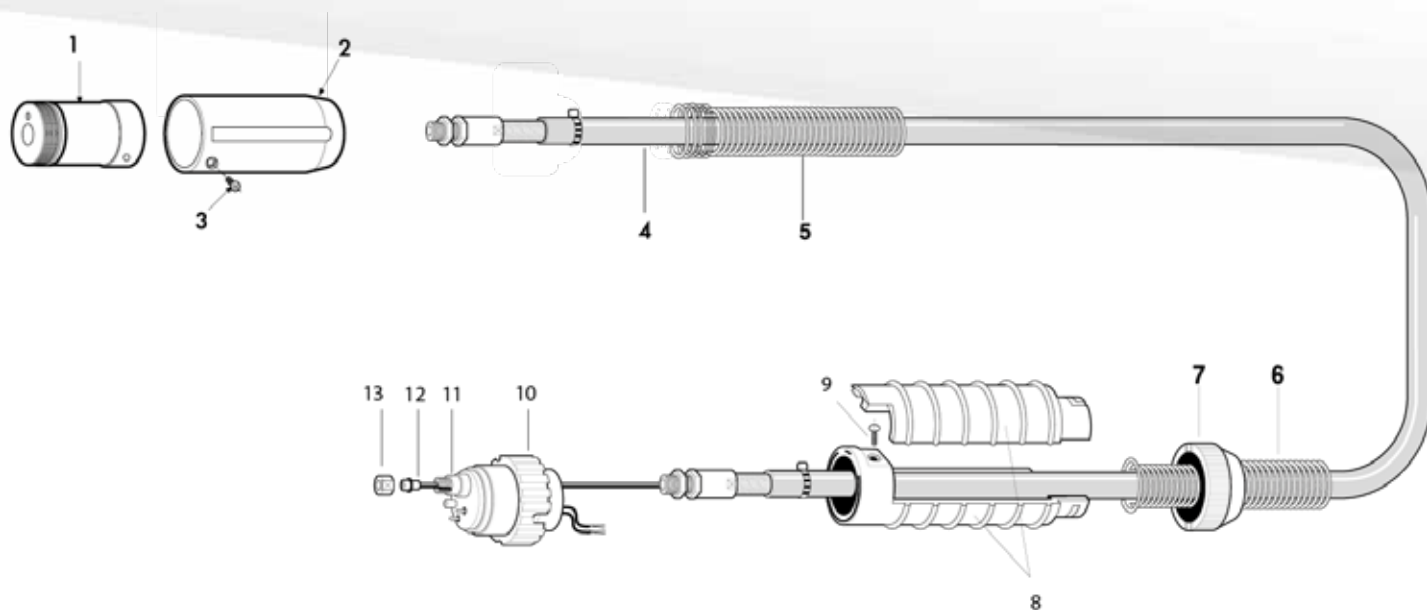
## SPARE PARTS

POS.	DESCRIPTION	PART. NO	BAG	POS.	DESCRIPTION	PART. NO	BAG
1	DRA Robot central body	100.106.111	-	16	Back cable support	EK50-56001	-
2	Handle case for microswitch	137.107.101	-	17	Screw support	EK50-81041	10
3	Screw M4	181.103.104	10	18	Male water-fitting $\varnothing 6$	150.108.115	10
4	Microswitch	339.101.100	-	19	Hose clamp $\varnothing 9,0$	101.106.203	10
5	Switch support	156.103.101	-	20	Screw back support air	181.106.101	10
6	Screw back support	181.106.101	10	21	Locking ring	127.102.102	5
7	Control cable 4-pole for antishock per meter	143.101.103	-	22	Euro connector	142.105.113	-
8	Straight plug 3-pole	183.103.103	-	23	m.3 steel liner blue for wires $\varnothing 0,8/1,0$	130.020.302	-
9	Hose clamp $\varnothing 8,7$	101.106.105	10	23*	m.3 steel liner red for wires $\varnothing 1,0/1,2$	130.050.302	-
10	Air hose black $\varnothing 6 \times 4$ per meter	166.060.040	-	23	m.3 liner for Al wire $\varnothing 0,8/1,0$ TEFLON	134.110.302	-
11	Coaxial cable assy	108.504.---*	-	23	m.3 liner for Al wire $\varnothing 1,0/1,2$ TEFLON	134.060.302	-
12	Spring rear connector	141.106.109	-	23	m.4 liner for Al wire $\varnothing 0,8/1,0$ CARBO	134.030.402	-
13	Protective cover MIG $\varnothing 30 \times 28$ per meter	175.300.280	-	23	m.4 liner for Al wire $\varnothing 1,0/1,2$ CARBO	134.090.402	-
14	No return air valve for DRA	191.101.102	-	24	Liner nut	117.101.101	10
15	Spring rear connector for EK	EK50-41601	-				

\* Indicate coaxial cable assy desired length "L"

# COAXIAL CABLE

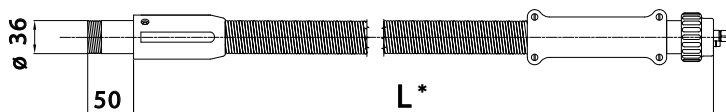
## FOR AUTOMATION TORCHES AIR COOLED MOD. DRA



### COAXIAL CABLE ASSEMBLIES

LENGTH ON REQUEST

POS.	PART. NO.	L(m)
1-13	108.520.152	1,5
1-13	108.520.202	2,0
1-13	108.520.252	2,5
1-13	108.520.302	3,0



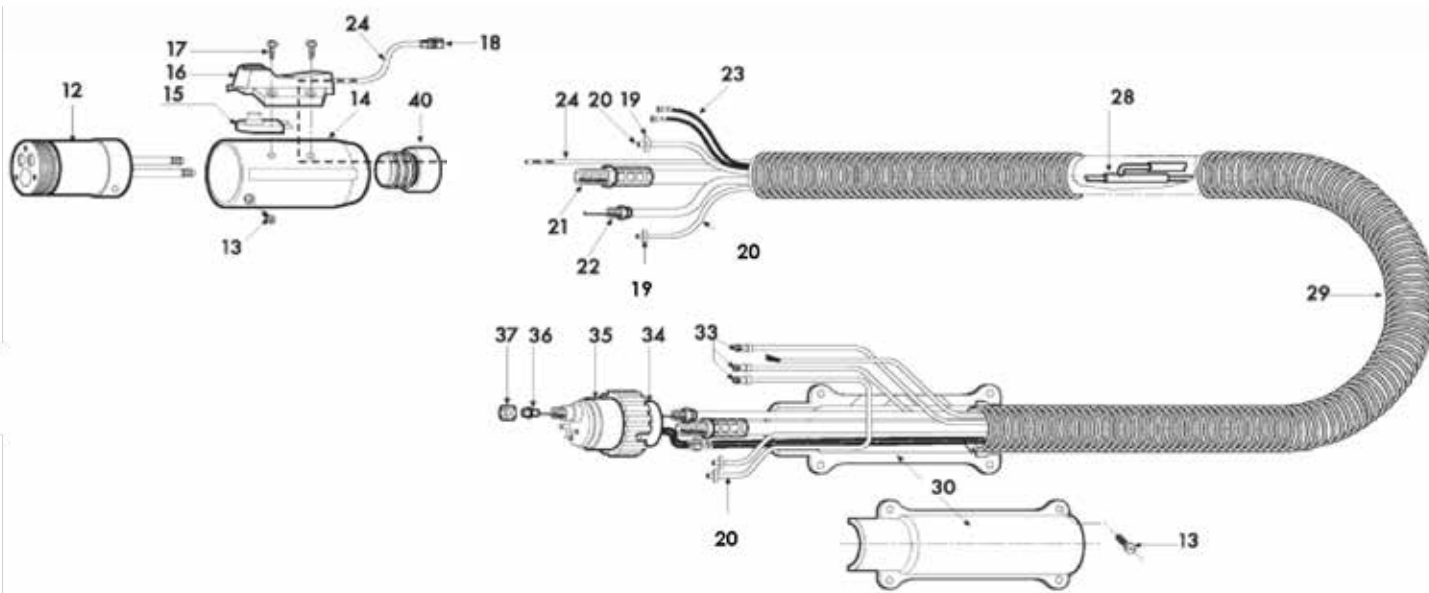
### SPARE PARTS

POS.	DESCRIPTION	PART. NO	BAG
1	DRA Automation central body	100.106.112	-
2	Handle case Automation	137.106.106	-
3	Screw M4	181.103.104	10
4	Coaxial cable assy	108.503.---*	-
5	Spring rear connector for liquid torch	141.106.109	-
6	Spring rear connector for air torch	141.106.107	-
7	Support locking ring (air cooled torches)	127.105.101	-
8	Back cable support (air torches)	156.101.103	-
9	Screw back support	181.106.101	10
10	Locking ring	127.102.102	5
11	Euro connector	142.105.113	-
12	m.3 steel liner blue for wires $\varnothing 0,8/1,0$	130.020.302	-
12*	m.3 steel liner red for wires $\varnothing 1,0/1,2$	130.050.302	-
12	m.3 liner for Al wire $\varnothing 0,8/1,0$ TEFLON	134.110.302	-
12	m.3 liner for Al wire $\varnothing 1,0/1,2$ TEFLON	134.060.302	-
12	m.4 liner for Al wire $\varnothing 0,8/1,0$ CARBO	134.030.402	-
12	m.4 liner for Al wire $\varnothing 1,0/1,2$ CARBO	134.090.402	-
13	Liner nut	117.101.101	-

\* Indicate coaxial cable assy desired length "L"

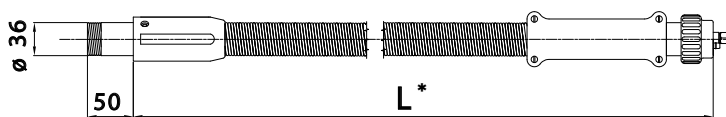
# ROBOT CABLE ASSEMBLIES

WITH AIRBLAST FUNCTION MOD. DRW



CABLE ASSEMBLIES LENGTH ON REQUEST

POS.	DESCRIPTION	PART. NO.
12-40	m. 1,2 Robot cable assembly	123.200.122
12-40	m. 1,3 Robot cable assembly	123.200.132
12-40	m. 1,5 Robot cable assembly	123.200.152
12-40	m. 1,6 Robot cable assembly	123.200.162
12-40	m. 2,5 Robot cable assembly	123.200.252
12-40	m. 3,0 Robot cable assembly	123.200.302



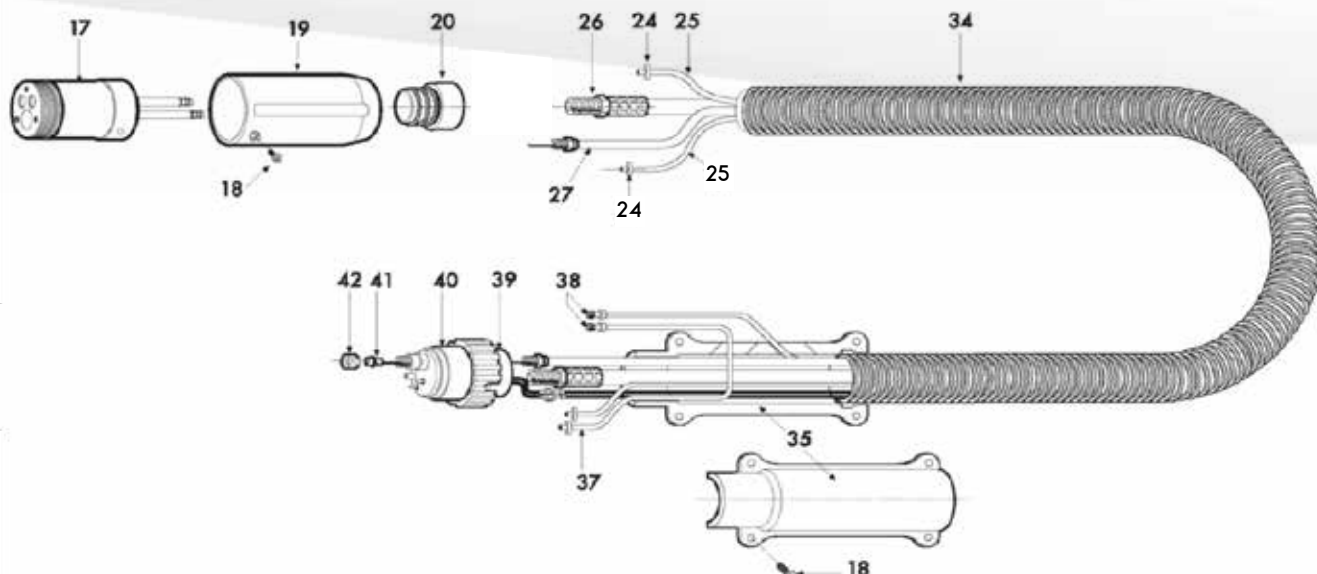
SPARE PARTS

POS.	DESCRIPTION	PART. NO.	BAG	POS.	DESCRIPTION	PART. NO.	BAG
12	DRW central body	100.106.110	-	22	m.1,5 Liner carrier	145.030.151	-
13	Screw M4	181.103.104	10	22	m.1,6 Liner carrier	145.030.161	-
14	Handle case for microswitch	137.107.101	-	22	m.2,5 Liner carrier	145.030.251	-
15	Microswitch	339.101.100	-	22	m.3,0 Liner carrier	145.030.301	-
16	Switch support	156.103.101	-	23	Control cable 2-pole	143.101.102	-
17	Screw back support	181.106.101	10	24	Control cable 4-pole for antishock	143.101.103	-
18	Straight plug -3 pole	183.103.103	-	28	No return air valve	191.101.104	-
19	Hose clamp $\varnothing 11,0$	101.106.205	10	29	Spiral outer hose $\varnothing 42,5/36$	176.425.360	-
20	Water/gas hose "Black" $\varnothing 9/5$	202.090.050	-	30	Back cable support (water torches)	156.101.106	-
21	m.1,2 Power cable	112.020.121	-	33	Male water-fitting $\varnothing 6$	150.108.115	10
21	m.1,3 Power cable	112.020.131	-	34	Euro connector	142.105.123	-
21	m.1,5 Power cable	112.020.151	-	35	Locking ring	127.102.102	-
21	m.1,6 Power cable	112.020.161	-	36	m.3 uncoated liner for wire $\varnothing 1,0/1,2$	189.060.302	-
21	m.2,5 Power cable	112.020.251	-	36	m.3 uncoated liner for wire $\varnothing 1,2/1,6$	189.070.302	-
21	m.3,0 Power cable	112.020.301	-	36	m.4 liner for Al wire $\varnothing 0,8/1,0$ CARBO	134.030.402	-
22	m.1,2 Liner carrier	145.030.121	-	36	m.4 liner for Al wire $\varnothing 1,2/1,6$ CARBO	134.090.402	-
22	m.1,3 Liner carrier	145.030.131	-	37	Liner nut	117.101.101	10
				40	Fitting spiral outer hose	157.100.002	-

\* Indicate coaxial cable assy desired length "L"

# AUTOMATION CABLE ASSEMBLIES

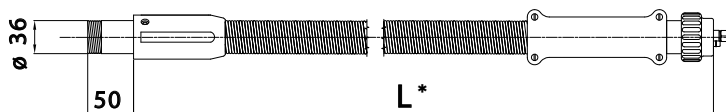
MOD. DRW-A



## CABLE ASSEMBLIES

LENGTH ON REQUEST

POS.	DESCRIPTION	PART. NO.
17-42	m. 1,3 Automation cable assembly	123.208.132
17-42	m. 1,5 Automation cable assembly	123.208.152
17-42	m. 1,6 Automation cable assembly	123.208.162
17-42	m. 2,0 Automation cable assembly	123.208.202
17-42	m. 2,5 Automation cable assembly	123.208.252
17-42	m. 3,0 Automation cable assembly	123.208.302



## SPARE PARTS

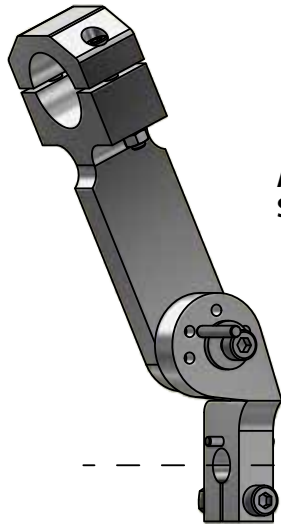
POS.	DESCRIPTION	PART. NO.	BAG
17	DRW central body	100.106.110	-
18	Screw M4	181.103.104	10
19	Handle case Automation	137.106.106	-
20	Fitting spiral outer hose	157.100.002	-
24	Hose clamp $\varnothing$ 11,0	101.106.205	10
25	Water/gas in hose "Black" $\varnothing$ 9/5	202.090.050	-
26	m.1,3 Power cable	112.020.131	-
26	m.1,5 Power cable	112.020.151	-
26	m.1,6 Power cable	112.020.161	-
26	m.2,0 Power cable	112.020.201	-
26	m.2,5 Power cable	112.020.251	-
26	m.3,0 Power cable	112.020.301	-
27	m.1,3 Liner carrier	145.030.131	-
27	m.1,5 Liner carrier	145.030.151	-

POS.	DESCRIPTION	PART. NO.	BAG
27	m.1,6 Liner carrier	145.030.161	-
27	m.2,0 Liner carrier	145.030.201	-
27	m.2,5 Liner carrier	145.030.251	-
27	m.3,0 Liner carrier	145.030.301	-
34	Spiral outer hose $\varnothing$ 42,5/36	176.425.360	-
35	Back cable support (water torches)	156.101.106	-
38	Male water-fitting $\varnothing$ 6	150.108.115	10
39	Euro connector	142.105.123	-
40	Locking ring	127.102.102	-
41	m.3 uncoated liner for wire $\varnothing$ 1,0/1,2	189.060.302	-
41	m.3 uncoated liner for wire $\varnothing$ 1,2/1,6	189.070.302	-
41	m.4 liner for Al wire $\varnothing$ 0,8/1,0 CARBO	134.030.402	-
41	m.4 liner for Al wire $\varnothing$ 1,2/1,6 CARBO	134.090.402	-
42	Liner nut	117.101.101	10

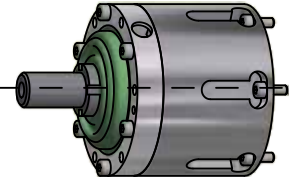
\* Indicate coaxial cable assy desired length "L"

# SUPPORTS CONFIGURATION

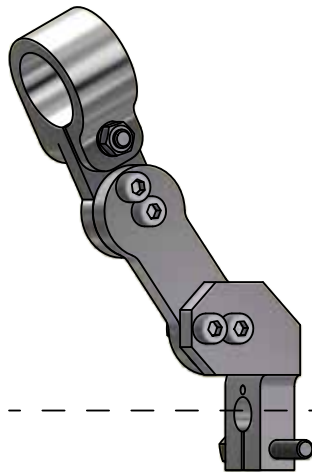
## AND ROBOT ACCESSORIES



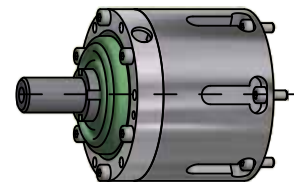
ADJUSTABLE  
SUPPORT



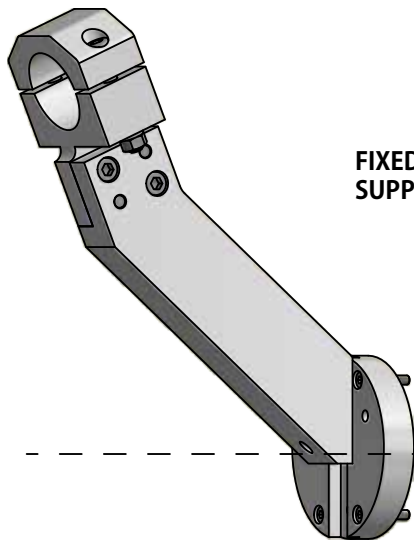
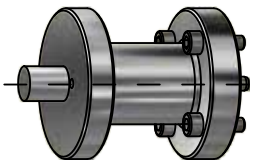
ANTISHOCK "AWS"



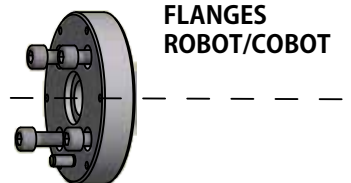
MOBILE  
SUPPORT



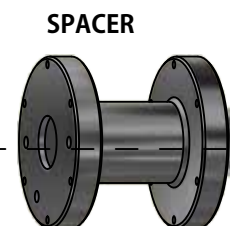
DIRECT SPACER FOR  
ROBOT/COBOT



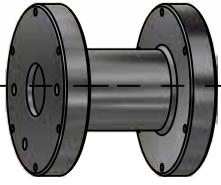
FIXED  
SUPPORT



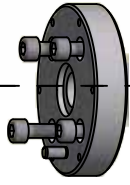
FLANGES  
ROBOT/COBOT



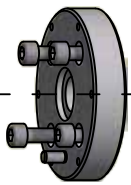
SPACER



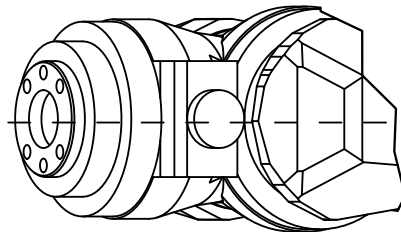
**SPACER**



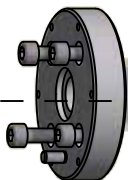
**FLANGES  
ROBOT/COBOT**



**ROBOT/COBOT**



**FLANGES  
ROBOT/COBOT**





# SUPPORTS & TCP GEOMETRIES

---

PREMIUM QUALITY

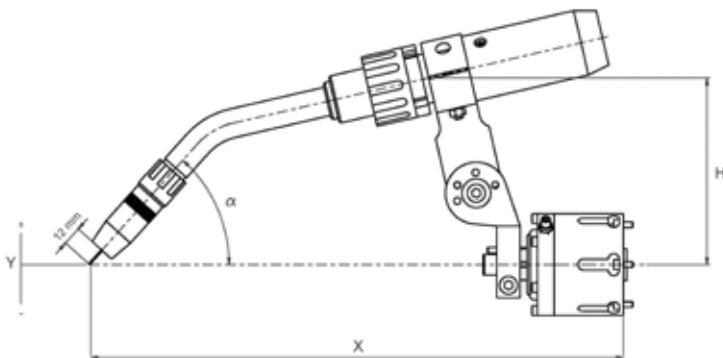
MADE IN ITALY



# SUPPORTS & TCP GEOMETRIES

ADJUSTABLE SUPPORT FOR DRA/DRW TORCH SERIES

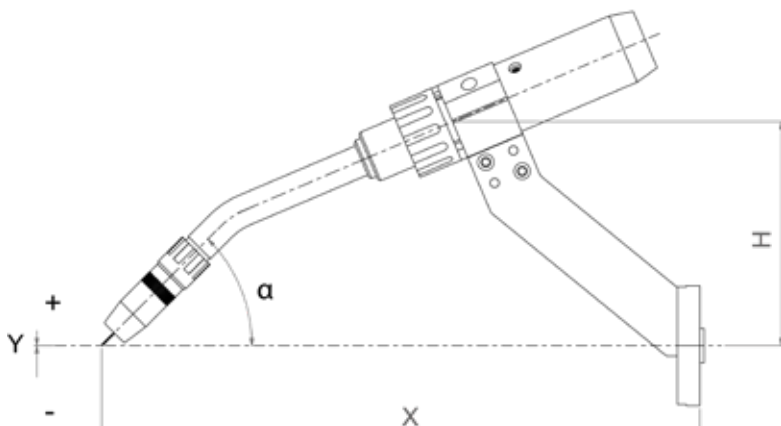
TORCH TYPE	TORCH GEOMETRY	X (mm)	Y (mm)	H (mm)	$\alpha$	COOLING	PART. NO.
DRA30	22°	413	0	162	47°	AIR	156.107.201
DRA30	35°	388	2	136	48°	AIR	156.107.202
DRA30	45°	373	3	118	49°	AIR	156.107.203
DRA30.L	22°	549	-63	162	47°	AIR	156.107.201
DRA30.L	35°	534	-32	136	48°	AIR	156.107.202
DRA30.L	45°	523	-7	118	49°	AIR	156.107.203
DRW28	22°	435	1	160	48°	LIQUID	156.107.201
DRW28	35°	411	1	144	48°	LIQUID	156.107.203
DRW28	45°	390	1	62	45°	LIQUID	156.107.215
DRW34	22°	413	0	162	47°	LIQUID	156.107.201
DRW34	35°	388	2	136	48°	LIQUID	156.107.202
DRW34	45°	374	3	118	48°	LIQUID	156.107.203
DRW34.L	22°	549	-63	162	47°	LIQUID	156.107.201
DRW34.L	35°	534	-32	136	48°	LIQUID	156.107.202
DRW34.L	45°	523	-8	118	49°	LIQUID	156.107.203
DRW50	22°	413	0	164	45°	LIQUID	156.107.201
DRW50	35°	387	0	136	45°	LIQUID	156.107.202
DRW50	45°	374	0	120	45°	LIQUID	156.107.203
DRW50.L	22°	551	-59	164	45°	LIQUID	156.107.201
DRW50.L	35°	535	-26	138	45°	LIQUID	156.107.202
DRW50.L	45°	524	0	120	45°	LIQUID	156.107.203
DRW55	22°	435	-22	162	47°	LIQUID	156.107.201
DRW55	35°	411	-21	136	48°	LIQUID	156.107.202
DRW55	45°	401	0	120	45°	LIQUID	156.107.203
DRW55.L	22°	576	-70	164	45°	LIQUID	156.107.201
DRW55.L	35°	561	-31	138	45°	LIQUID	156.107.202
DRW55.L	45°	546	-31	118	49°	LIQUID	156.107.203



# SUPPORTS & TCP GEOMETRIES

## FIXED SUPPORT FOR DRA/DRW TORCH SERIES

TORCH TYPE	TORCH GEOMETRY	X (mm)	Y (mm)	H (mm)	$\alpha$	COOLING.	PART. NO.
DRA30	22°	434	49	120	27°	AIR	156.107.323
DRA30	35°	418	21	120	40°	AIR	156.107.323
DRA30	45°	400	0	120	50°	AIR	156.107.323
DRA30.L	22°	584	36	120	27°	AIR	156.107.323
DRA30.L	35°	567	8	120	40°	AIR	156.107.323
DRA30.L	45°	549	-13	120	50°	AIR	156.107.323
DRW28	22°	453	64	120	27°	LIQUID	156.107.323
DRW28	35°	443	46	120	40°	LIQUID	156.107.323
DRW28	45°	433	35	120	50°	LIQUID	156.107.323
DRW34	22°	435	49	120	27°	LIQUID	156.107.323
DRW34	35°	418	21	120	40°	LIQUID	156.107.323
DRW34	45°	400	0	120	50°	LIQUID	156.107.323
DRW34.L	22°	584	36	120	27°	LIQUID	156.107.323
DRW34.L	35°	567	8	120	40°	LIQUID	156.107.323
DRW34.L	45°	594	-13	120	50°	LIQUID	156.107.323
DRW50	22°	435	38	120	27°	LIQUID	156.107.323
DRW50	35°	415	4	120	40°	LIQUID	156.107.323
DRW50	45°	395	-21	120	50°	LIQUID	156.107.333
DRW50.L	22°	585	25	120	27°	LIQUID	156.107.323
DRW50.L	35°	565	-9	120	40°	LIQUID	156.107.323
DRW50.L	45°	544	-34	120	50°	LIQUID	156.107.323
DRW55	22°	463	36	120	27°	LIQUID	156.107.323
DRW55	35°	443	2	120	40°	LIQUID	156.107.323
DRW55	45°	422	-24	120	50°	LIQUID	156.107.333
DRW55.L	22°	612	23	120	27°	LIQUID	156.107.323
DRW55.L	35°	592	-11	120	40°	LIQUID	156.107.323
DRW55.L	45°	571	-37	120	50°	LIQUID	156.107.323





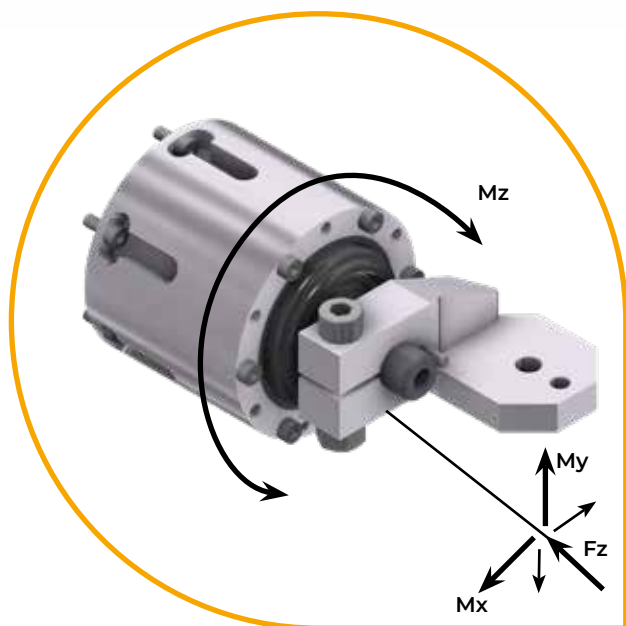
# ROBOT ANTISHOCK "AWS"

PREMIUM QUALITY

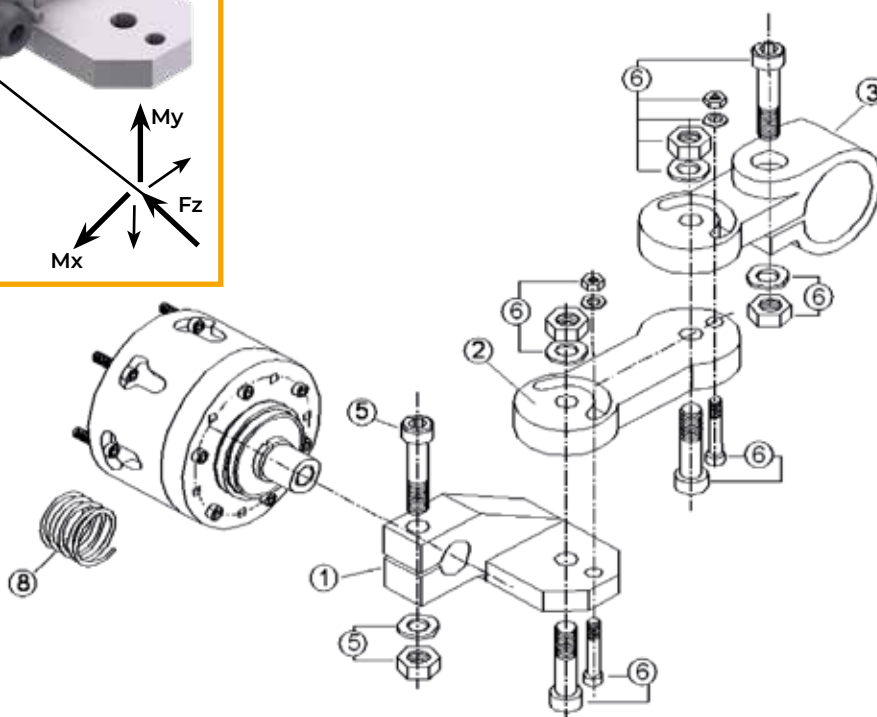
MADE IN ITALY

# ROBOT ANTISHOCK "AWS"

## REPLACEMENT PARTS



SPRING	Fz	Mx/My	Mz
S = stnd.	365 N	19-21 Nm	ca. 17 Nm
M	440 N	23-26 Nm	ca. 23 Nm
H	640 N	37-40 Nm	ca. 37 Nm



POS.	DESCRIPTION	PART. NO.
1	AWS Bracket	156.107.102
2	Standard spacer AWS 63 mm	119.112.101
2	Spacer AWS 72 mm	119.112.102
2	Spacer AWS 100 mm	119.112.103
3	Mobile bracket torch $\varnothing$ 36 mm fastening	156.106.102








POS.	DESCRIPTION	PART. NO.
5	Screws kit for bracket	181.101.103
6	Screws kit for bracket & link	181.101.104
8	Pressure spring type "S" soft "AWS"	141.106.105
8	Pressure spring type "M" medium "AWS"	141.106.104
8	Pressure spring type "H" hard "AWS"	141.106.113

### WIDE RANGE OF FLANGES AND SPACERS FOR ROBOT AND COBOT



# ROBOT ANTISHOCK "AWS"

## MOBILE SUPPORT FOR DRA-DRW-WRT TORCH SERIES

POS.	DESCRIPTION		PART. NO.	
A	"AWS-S" Antishock with soft spring "S"		180.106.100	
A	"AWS-M" Antishock with medium spring "M"		180.106.104	
A	"AWS-H" Antishock with hard spring "H"		180.106.106	
B	"AWS-S" Antishock with soft spring "S" and Bracke		180.106.101	
B	"AWS-M" Antishock with medium spring "M" and Bracket		180.106.102	
B	"AWS-M" Antishock with hard spring "H" and Bracket		180.106.105	
				
C	"AWS-S" Antishock complete with soft spring "S", bracket, spacer 63 mm, clamp hold			180.107.101
C	"AWS-M" Antishock complete with medium spring "M", bracket, spacer 63 mm, clamp hold			180.107.102
C	"AWS-H" Antishock complete with hard spring "H", bracket, spacer 63 mm, clamp hold	63mm	180.107.107	
C	"AWS-S" Antishock complete with soft spring "S", bracket, spacer 72 mm, clamp hold		180.107.103	
C	"AWS-M" Antishock complete with medium spring "M", bracket, spacer 72 mm, clamp hold		180.107.104	
C	"AWS-H" Antishock complete with hard spring "H", bracket, spacer 72 mm, clamp hold		72mm	180.107.108
C	"AWS-S" Antishock complete with soft spring "S", bracket, spacer 100 mm, clamp hold		180.107.105	
C	"AWS-M" Antishock complete with medium spring "M", bracket, spacer 100 mm, clamp hold		180.107.106	
C	"AWS-H" Antishock complete with hard spring "H", bracket, spacer 100 mm, clamp hold		100mm	180.107.109
D	Complete Mobile clamp holder with slide for calibration		R-SCM36	



# WRT SERIES TORCHES

---

PREMIUM QUALITY

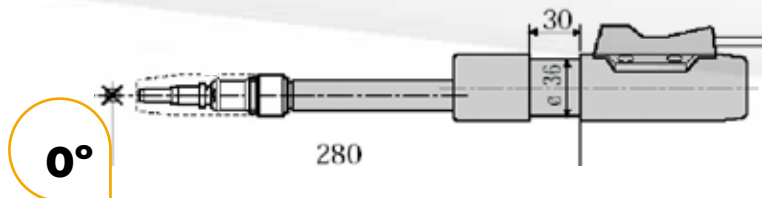
MADE IN ITALY



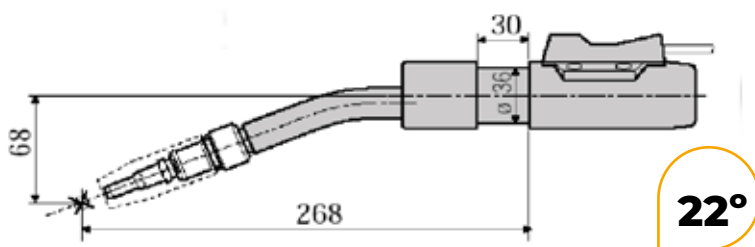
# TORCHES FOR ROBOT & AUTOMATION

WRT SERIES

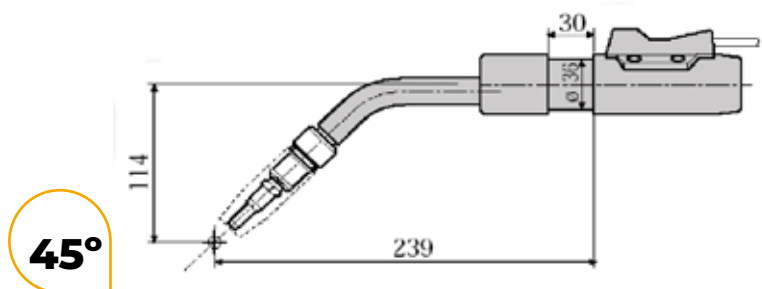
## STANDARD ANGLE AND LENGTH



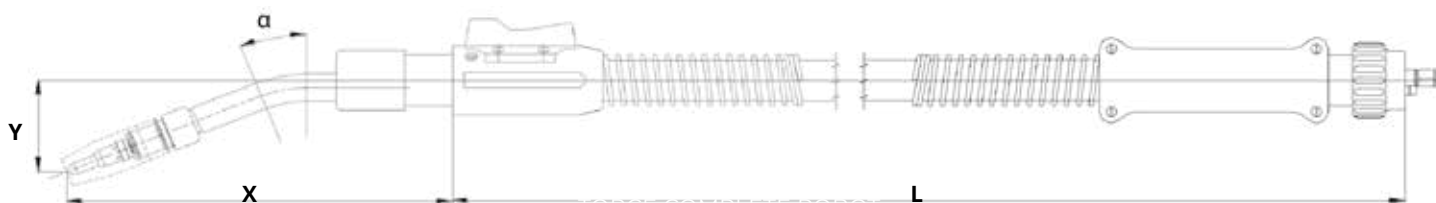
0°



22°



45°



### COMPLETE ROBOT TORCHES

TORCH MODEL	TORCH PART. NO.
WRT.35	292. --*1. --**1
WRT.45	292. --*2. --**1
WRT.36	291. --*1. --**1
WRT.50	291. --*2. --**1
WRT.65	291. --*3. --**1
ART.30	293. --*2. --**1

### COMPLETE AUTOMATION TORCHES

TORCH MODEL	TORCH PART. NO.
WRT.35	297. --*1. --**1
WRT.45	297. --*2. --**1
WRT.36	296. --*1. --**1
WRT.50	296. --*2. --**1
WRT.65	296. --*3. --**1
ART.30	298. --*2. --**1

\*- Specify torch angle "  $\alpha$  "

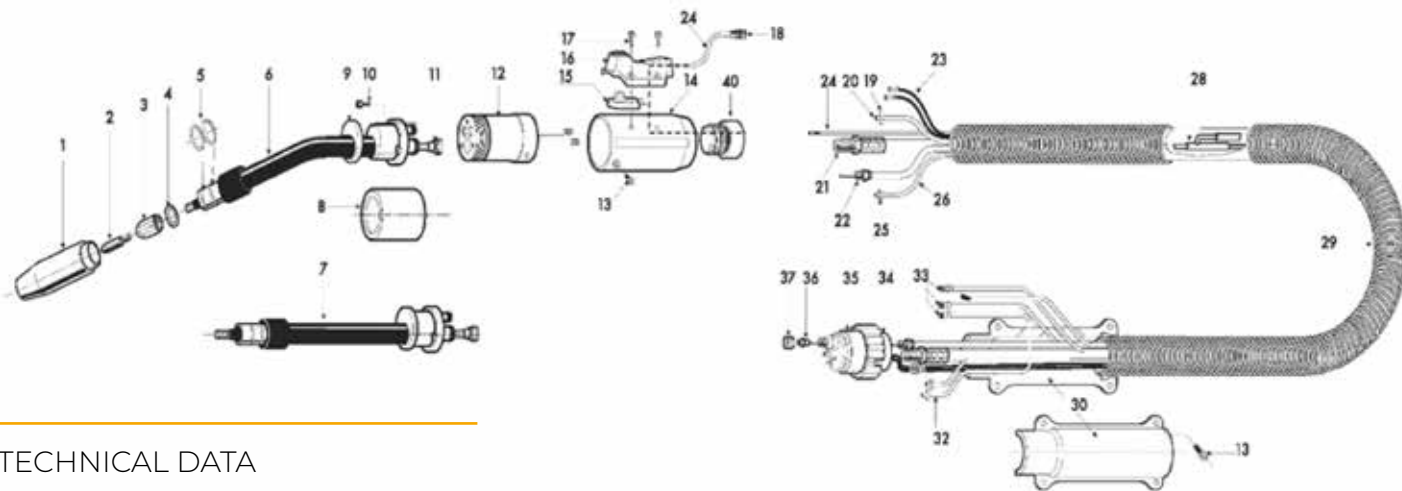
\*\* - Specify cable assembly length "L"

Order example : Robot Torch 22° m,1,5 model: WRT.35 Part.

No.: 292.221.151

# WRT.35 - DELFOROBOT - LIQUID

## COMPLETE ROBOT TORCH 350 A. LIQUID COOLED



### TECHNICAL DATA

<b>Technical data:</b>	(EN60974-7)
<b>Rating CO<sub>2</sub>:</b>	300 A.
<b>Rating mixed Gas (M21):</b>	250 A.
<b>Duty Cycle:</b>	100%
<b>Wire Size:</b>	Ø 0,8-1,4 mm

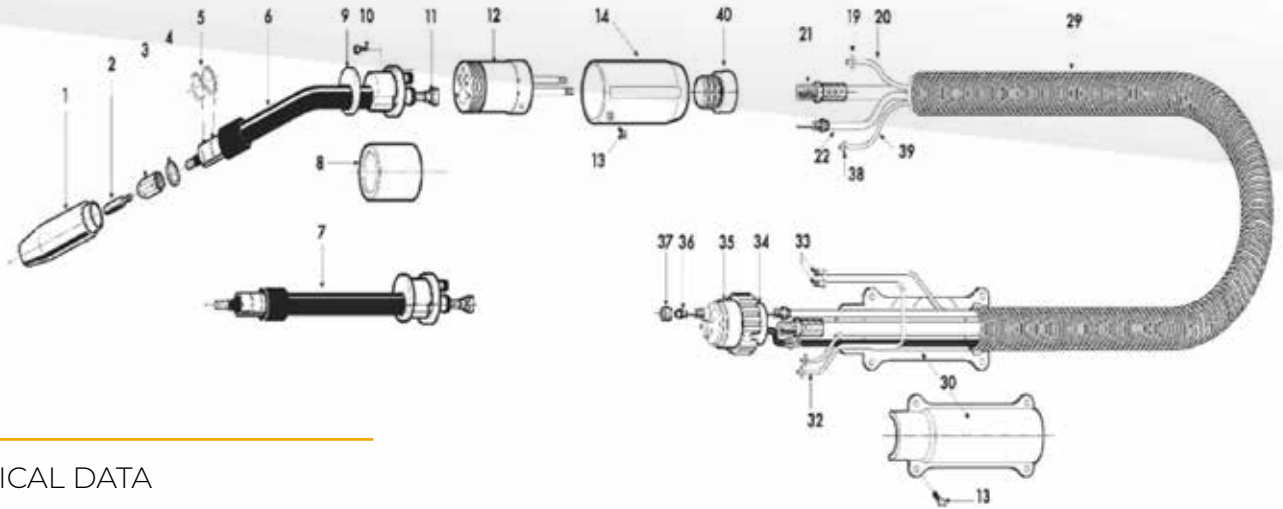
\*Rating data determined under normal conditions at low to medium reflected heat, free air circulation and at 28°C ambient temperature. When used under more difficult conditions, the rating data must be reduced by 10-20%. The rating data are reduced up to 35% for pulse arc welding.

### SPARE PARTS LIST

POS.	DESCRIPTION	PART. NO.	BAG	POS.	DESCRIPTION	PART. NO.	BAG
1 ÷ 11	Complete torch body 22°	282.221.001	-	16	Switch support	156.103.101	1
1 ÷ 11	Complete torch body 45°	282.451.001	-	17	Screw back support	181.106.101	10
1 ÷ 11	Complete torch body 0°	282.001.001	-	18	Straight plug -3 pole	183.103.103	-
1	Gas nozzle øi. 15,5 length 62,5	179.105.601	5	19	Hose clamp ø 10,5	101.106.205	10
1	Gas nozzle øi. 13 length 62,5	179.109.601	5	20	Water in hose "Black" ø 9/5	202.090.050	-
2	Contact tip M8x30 Cu-Cr-Zr ø 0,8	147.020.308	25	21	Power cable m...	112.020...*1	-
2	Contact tip M8x30 Cu-Cr-Zr ø 1,0	147.020.310	25	22	Liner carrier m...	145.030...*1	-
2	Contact tip M8x30 Cu-Cr-Zr ø 1,2	147.020.312	25	23	Control cable 2-pole	143.101.102	-
2	Contact tip M8x30 Cu-Cr-Zr ø 1,4	147.020.314	25	24	Control cable 4-pole for antishock	143.101.103	-
3	Gas diffuser	118.103.105	5	25	Hose clamp ø 9,5	101.106.202	10
4	Insulating ring	151.105.107	10	26	Gas /Air hose "Black" ø 8/5	166.081.051	-
5	Elastic ring	101.101.104	20	28	No return air valve	191.101.104	-
6	Torch body 22°	216.225.001	-	29	Spiral outer hose ø 42,5/36	176.425.360	-
6	Torch body 45°	216.455.001	-	30	Back cable support (water torches)	156.101.106	-
7	Torch body 0°	216.005.001	-	32	Water out hose "Black" ø 9/5	202.090.050	-
8	Central body protection "WRT"	137.106.107	-	33	Male water-fitting ø 6	150.108.115	10
9	Torch body protection "WRT"	151.105.109	-	34	Euro connector	142.105.123	-
10	Screws torch body "WRT"	181.107.101	10	35	Locking ring	127.102.102	-
11	Liner for torch body wire ø 1,0/1,2	131.101.117	-	36	m.3 uncoated liner for wire ø 1,0/1,2	189.060.302	-
12 ÷ 40	Power cable assy Robot w/centr. body m...	123.070.*2	-	36	m.3 liner for Al wire ø 1,0/1,2 TEFLON	134.010.302	-
12	Central body	100.106.103	-	36	m.4 liner for Al wire ø 0,8/1,0 CARBO	134.030.402	-
13	Screw M.4x5	181.103.104	10	36	m.4 liner for Al wire ø 1,2/1,6 CARBO	134.090.402	-
14	Handle case for microswitch	137.107.101	-	37	Liner nut	117.101.101	10
15	Microswitch	339.101.100	-	40	Fitting spiral outer hose	157.100.002	-

# WRT.35 - DELFOROBOT - LIQUID

## COMPLETE AUTOMATION TORCH 350 A. LIQUID COOLED



### TECHNICAL DATA

<b>Technical data:</b>	(EN60974-7)
<b>Rating CO<sub>2</sub>:</b>	300 A.
<b>Rating mixed Gas (M21):</b>	250 A.
<b>Duty Cycle:</b>	100%
<b>Wire Size:</b>	Ø 0,8-1,4 mm

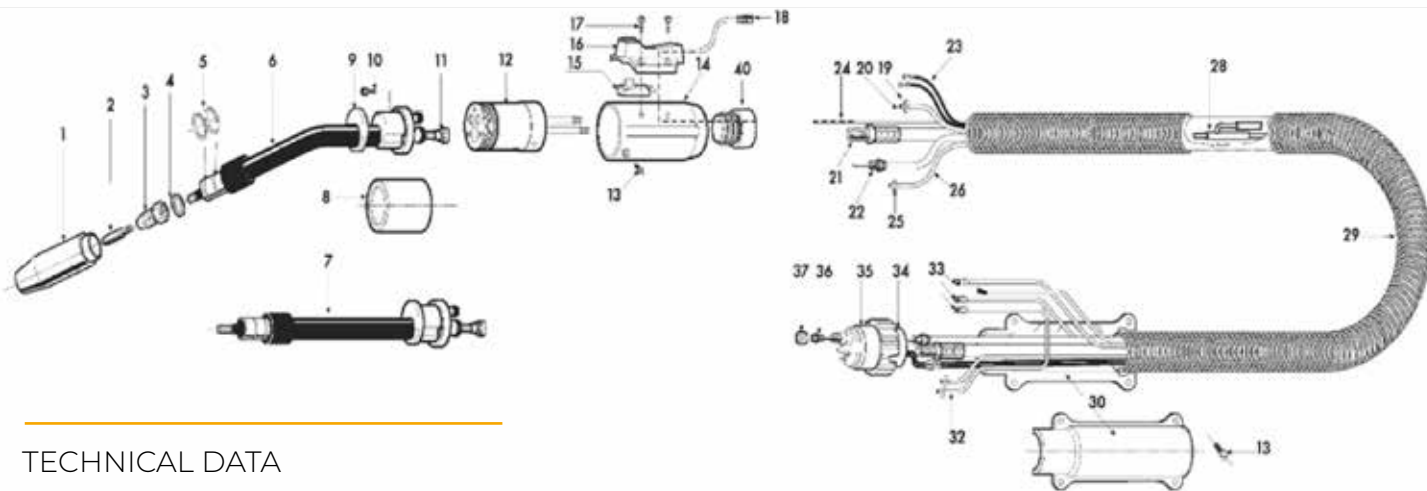
\*Rating data determined under normal conditions at low to medium reflected heat, free air circulation and at 28°C ambient temperature. When used under more difficult conditions, the rating data must be reduced by 10-20%. The rating data are reduced up to 35% for pulse arc welding.

### SPARE PARTS LIST

POS.	DESCRIPTION	PART. NO.	BAG	POS.	DESCRIPTION	PART. NO.	BAG
1 ÷ 11	Complete torch body 22°	282.221.001	-	13	Screw M.4x5	181.103.104	10
1 ÷ 11	Complete torch body 45°	282.451.001	-	14	Handle case Automation	137.106.106	-
1 ÷ 11	Complete torch body 0°	282.001.001	-	19	Hose clamp ø 10,5	101.106.205	10
1	Gas nozzle øi. 15,5 length 62,5	179.105.601	5	20	Water in hose "Black" ø 9/5	202.090.050	-
1	Gas nozzle øi. 13 length 62,5	179.109.601	5	21	Power cable m...	112.020.*1	-
2	Contact tip M8x30 Cu-Cr-Zr ø 0,8	147.020.308	25	22	Liner carrier m...	145.030.*1	-
2	Contact tip M8x30 Cu-Cr-Zr ø 1,0	147.020.310	25	29	Spiral outer hose ø 42,5/36	176.425.360	-
2	Contact tip M8x30 Cu-Cr-Zr ø 1,2	147.020.312	25	30	Back cable support (water torches)	156.101.106	-
2	Contact tip M8x30 Cu-Cr-Zr ø 1,4	147.020.314	25	32	Water out hose "Black" ø 9/5	202.090.050	-
3	Gas diffuser	118.103.105	5	33	Male water-fitting ø 6	150.108.115	10
4	Insulating ring	151.105.107	10	34	Euro connector	142.105.123	-
5	Elastic ring	101.101.104	10	35	Locking ring	127.102.102	-
6	Torch body 22°	216.225.001	-	36	m.3 uncoated liner for wire ø 1,0/1,2	189.060.302	-
6	Torch body 45°	216.455.001	-	36	m.3 liner for Al wire ø 1,0/1,2 TEFLON	134.010.302	-
7	Torch body 0°	216.005.001	-	36	m.4 liner for Al wire ø 0,8/1,0 CARBO	134.030.402	-
8	Central body protection "WRT"	137.106.107	-	36	m.4 liner for Al wire ø 1,2/1,6 CARBO	134.090.402	-
9	Torch body protection "WRT"	151.105.109	-	37	Liner nut	117.101.101	10
10	Screws torch body "WRT"	181.107.101	10	38	Hose clamp ø 9,5	101.106.202	10
11	Liner for torch body wire ø 1,0/1,2	131.101.117	-	39	Gas hose "Black" ø 8/5	166.081.051	-
12 ÷ 40	Power cable assy Automation w/centr. body m...	123.080.*2	-	40	Fitting spiral outer hose	157.100.002	-
12	Central body	100.106.103	-				

# WRT.45 - DELFOROBOT - LIQUID

## COMPLETE ROBOT TORCH 450 A. LIQUID COOLED



### TECHNICAL DATA

<b>Technical data:</b>	(EN60974-7)
<b>Rating CO<sub>2</sub>:</b>	450 A.
<b>Rating mixed Gas (M21):</b>	400 A.
<b>Duty Cycle:</b>	100%
<b>Wire Size:</b>	Ø 0,8-1,4 mm

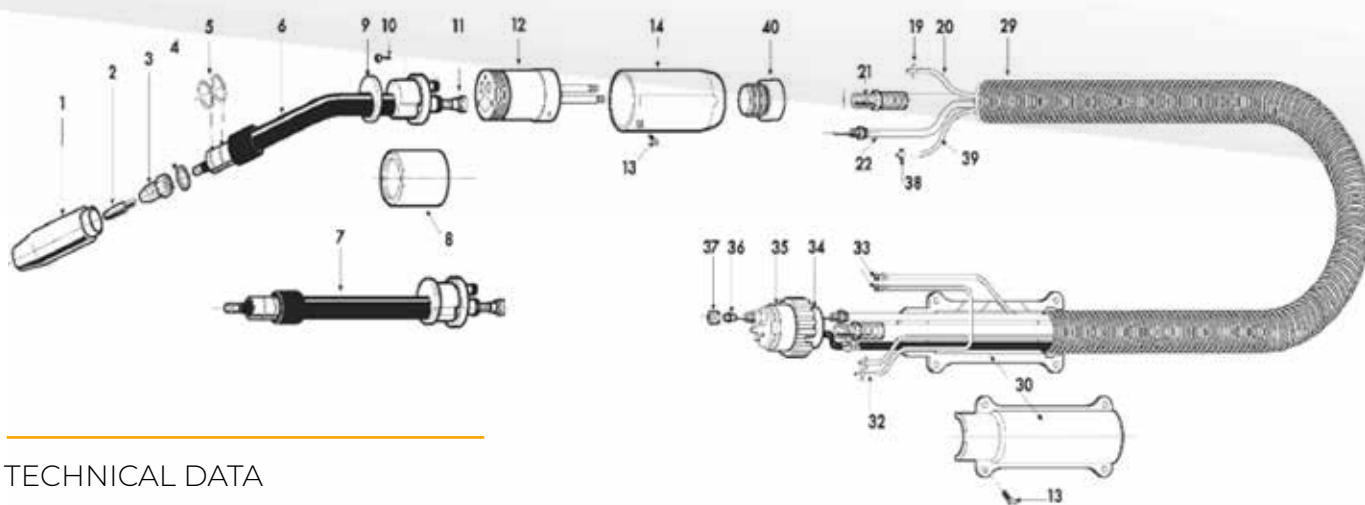
\*Rating data determined under normal conditions at low to medium reflected heat, free air circulation and at 28°C ambient temperature. When used under more difficult conditions, the rating data must be reduced by 10-20%. The rating data are reduced up to 35% for pulse arc welding.

### SPARE PARTS LIST

POS.	DESCRIPTION	PART. NO.	BAG	POS.	DESCRIPTION	PART. NO.	BAG
1 ÷ 11	Complete torch body 22°	282.222.001	-	17	Screw back support	181.106.101	10
1 ÷ 11	Complete torch body 45°	282.452.001	-	18	Straight plug -3 pole	183.103.103	-
1 ÷ 11	Complete torch body 0°	282.002.001	-	19	Hose clamp ø 10,5	101.106.205	10
1	Gas nozzle øi. 15,5 length 72,5	179.109.125	5	20	Water in hose "Black" ø 9/5	202.090.050	-
1	Gas nozzle øi. 13 length 72,5	179.109.113	5	21	Power cable m...	112.020...*1	-
2	Contact tip M8x30 Cu-Cr-Zr ø 0,8	147.020.308	25	22	Liner carrier m...	145.030...*1	-
2	Contact tip M8x30 Cu-Cr-Zr ø 1,0	147.020.310	25	23	Control cable 2-pole	143.101.102	-
2	Contact tip M8x30 Cu-Cr-Zr ø 1,2	147.020.312	25	24	Control cable 4-pole for antishock	143.101.103	-
2	Contact tip M8x30 Cu-Cr-Zr ø 1,4	147.020.314	25	25	Hose clamp ø 9,5	101.106.202	10
3	Gas diffuser	118.103.106	5	26	Gas /Air hose "Black" ø 8/5	166.081.051	-
4	Insulating ring	151.105.106	10	28	No return air valve	191.101.104	-
5	Elastic ring	101.101.103	10	29	Spiral outer hose ø 42,5/36	176.425.360	-
6	Torch body 22°	216.225.002	-	30	Back cable support (water torches)	156.101.106	-
6	Torch body 45°	216.455.002	-	32	Water out hose "Black" ø 9/5	202.090.050	-
7	Torch body 0°	216.005.002	-	33	Male water-fitting ø 6	150.108.115	10
8	Central body protection "WRT"	137.106.107	-	34	Euro connector	142.105.123	-
9	Torch body protection "WRT"	151.105.109	-	35	Locking ring	127.102.102	-
10	Screws torch body "WRT"	181.107.101	10	36	m.3 uncoated liner for wire ø 1,0/1,2	189.060.302	-
11	Liner for torch body wire ø 1,0/1,2	131.101.117	-	36	m.3 liner for Al wire ø 1,0/1,2 TEFLON	134.010.302	-
12 ÷ 40	Power cable assy Robot w/centr. body m...	123.070.*2	-	36	m.4 liner for Al wire ø 0,8/1,0 CARBO	134.030.402	-
12	Central body	100.106.103	-	36	m.4 liner for Al wire ø 1,2/1,6 CARBO	134.090.402	-
13	Screw M.4x5	181.103.104	10	37	Liner nut	117.101.101	10
14	Handle case for microswitch	137.107.101	-	40	Fitting spiral outer hose	157.100.002	-
15	Microswitch	339.101.100	-				
16	Switch support	156.103.101	-				

# WRT.45 - DELFOROBOT - LIQUID

## COMPLETE AUTOMATION TORCH 450 A. LIQUID COOLED



### TECHNICAL DATA

<b>Technical data:</b>	(EN60974-7)
<b>Rating CO<sub>2</sub>:</b>	450 A.
<b>Rating mixed Gas (M21):</b>	400 A.
<b>Duty Cycle:</b>	100%
<b>Wire Size:</b>	Ø 0,8-1,4 mm

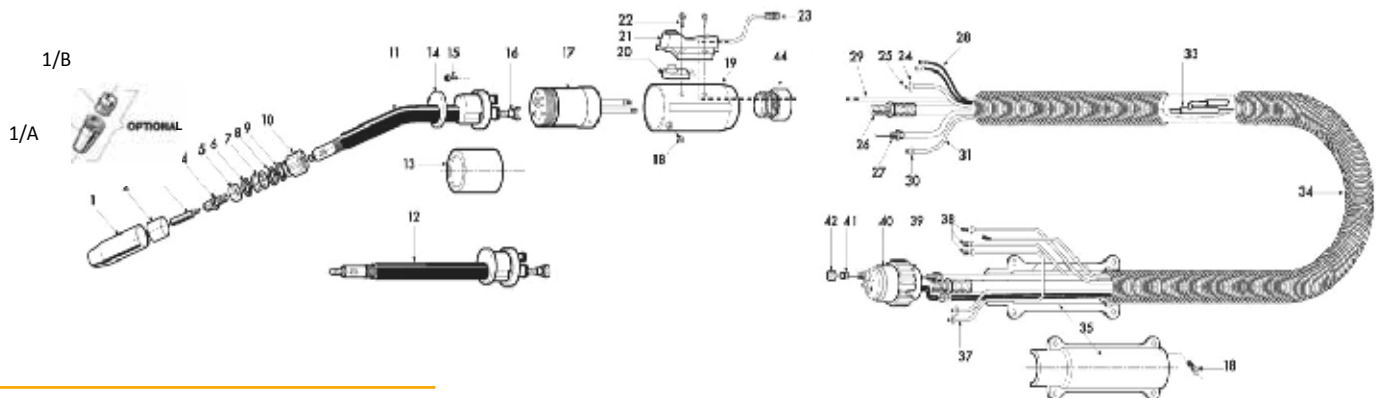
\*Rating data determined under normal conditions at low to medium reflected heat, free air circulation and at 28°C ambient temperature. When used under more difficult conditions, the rating data must be reduced by 10-20%. The rating data are reduced up to 35% for pulse arc welding.

### SPARE PARTS LIST

POS.	DESCRIPTION	PART. NO.	BAG	POS.	DESCRIPTION	PART. NO.	BAG
1 ÷ 11	Complete torch body 22°	282.222.001	-	13	Screw M.4x5	181.103.104	10
1 ÷ 11	Complete torch body 45°	282.452.001	-	14	Handle case Automation	137.106.106	-
1 ÷ 11	Complete torch body 0°	282.002.001	-	19	Hose clamp ø 10,5	101.106.205	10
1	Gas nozzle øi. 15,5 length 72,5	179.109.125	5	20	Water in hose "Black" ø 9/5	202.090.050	-
1	Gas nozzle øi. 13 length 72,5	179.109.113	5	21	Power cable m...	112.020.*1	-
2	Contact tip M8x30 Cu-Cr-Zr ø 0,8	147.020.308	25	22	Liner carrier m...	145.030.*1	-
2	Contact tip M8x30 Cu-Cr-Zr ø 1,0	147.020.310	25	29	Spiral outer hose ø 42,5/36	176.425.360	-
2	Contact tip M8x30 Cu-Cr-Zr ø 1,2	147.020.312	25	30	Back cable support (water torches)	156.101.106	-
2	Contact tip M8x30 Cu-Cr-Zr ø 1,4	147.020.314	25	32	Water out hose "Black" ø 9/5	202.090.050	-
3	Gas diffuser	118.103.106	5	33	Male water-fitting ø 6	150.108.115	10
4	Insulating ring	151.105.106	10	34	Euro connector	142.105.123	-
5	Elastic ring	101.101.103	10	35	Locking ring	127.102.102	-
6	Torch body 22°	216.225.002	-	36	m.3 uncoated liner for wire ø 1,0/1,2	189.060.302	-
6	Torch body 45°	216.455.002	-	36	m.3 liner for Al wire ø 1,0/1,2 TEFLON	134.010.302	-
7	Torch body 0°	216.005.002	-	36	m.4 liner for Al wire ø 0,8/1,0 CARBO	134.030.402	-
8	Central body protection "WRT"	137.106.107	-	36	m.4 liner for Al wire ø 1,2/1,6 CARBO	134.090.402	-
9	Torch body protection "WRT"	151.105.109	-	37	Liner nut	117.101.101	10
10	Screws torch body "WRT"	181.107.101	10	38	Hose clamp ø 9,5	101.106.202	10
11	Liner for torch body wire ø 1,0/1,2	131.101.117	-	39	Gas hose "Black" ø 8/5	166.081.051	-
12 ÷ 40	Power cable assy Automation w/centr. body m....	123.080...*2	-	40	Fitting spiral outer hose	157.100.002	-
12	Central body	100.106.103	-				

# WRT.36 - DELFOROBOT - LIQUID

## COMPLETE ROBOT TORCH 350 A. LIQUID COOLED



### TECHNICAL DATA

<b>Technical data:</b>	(EN60974-7)
<b>Rating CO<sub>2</sub>:</b>	350 A.
<b>Rating mixed Gas (M21):</b>	300 A.
<b>Duty Cycle:</b>	100%
<b>Wire Size:</b>	Ø 0,8-1,4 mm

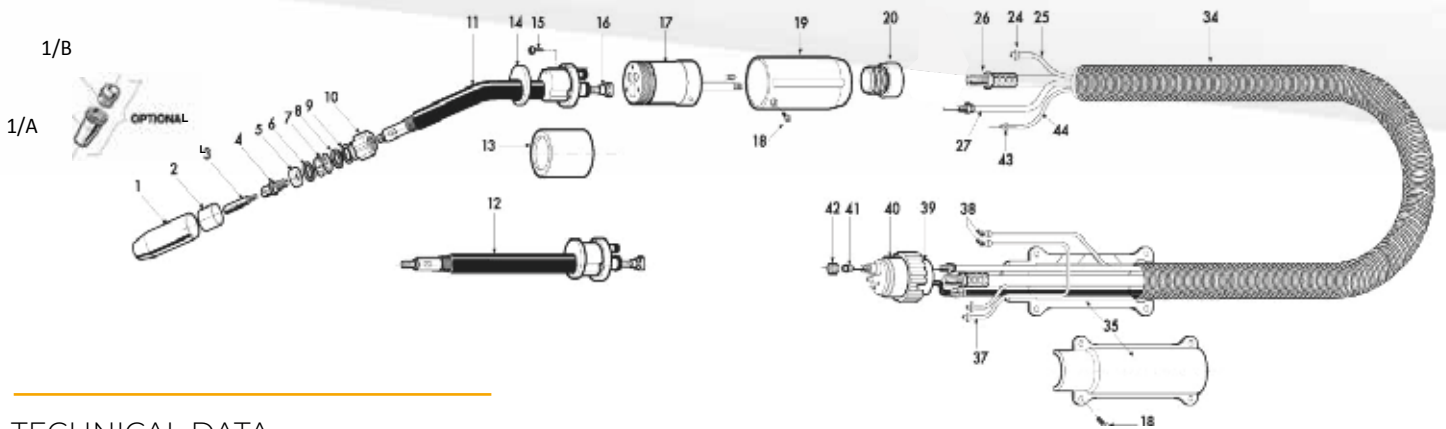
\*Rating data determined under normal conditions at low to medium reflected heat, free air circulation and at 28°C ambient temperature. When used under more difficult conditions, the rating data must be reduced by 10-20%. The rating data are reduced up to 35% for pulse arc welding.

### SPARE PARTS LIST

POS.	DESCRIPTION	PART. NO.	BAG	POS.	DESCRIPTION	PART. NO.	BAG
1 ÷ 16	Complete torch body 22°	281.221.001	-	17 ÷ 44	Power cable assy Robot w/centr. body m....	123.070..*2	-
1 ÷ 16	Complete torch body 45°	281.451.001	-	17	Central body	100.106.103	-
1 ÷ 16	Complete torch body 0°	281.001.001	-	18	Screw M.4x5	181.103.104	10
1	Gas nozzle øi. 15,5 length 68,5	179.109.120	5	19	Handle case for microswitch	137.107.101	-
1	Gas nozzle øi. 13 length 68,5	179.109.121	5	20	Microswitch	339.101.100	-
1/A	Front nozzle øi. 15	179.102.108	5	21	Switch support	156.103.101	-
1/B	Back nozzle	179.108.103	5	22	Screw back support	181.106.101	10
2	Nozzle insulator	103.102.103	5	23	Straight plug -3 pole	183.103.103	-
3	Contact tip M8x40 Cu-Cr-Zr ø 0,8	147.020.108	25	24	Hose clamp ø 9,5	101.106.202	10
3	Contact tip M8x40 Cu-Cr-Zr ø 1,0	147.020.110	25	25	Water in hose "Black" ø 9/5	202.090.050	-
3	Contact tip M8x40 Cu-Cr-Zr ø 1,2	147.020.112	25	26	Power cable m...	112.020...*1	-
3	Contact tip M8x40 Cu-Cr-Zr ø 1,4	147.020.114	25	27	Liner carrier m...	145.030...*1	-
4	Gas diffuser	118.103.109	5	28	Control cable 2-pole	143.101.102	-
5	Insulating support ring	151.104.106	10	29	Control cable 4-pole for antishock	143.101.103	-
6	Rubber O ring	101.102.206	10	30	Hose clamp ø 10,5	101.106.205	10
7	Water distributor	119.101.104	10	31	Gas /Air hose "Black" ø 8/5	166.081.051	-
8	Rubber O ring	101.102.206	10	33	No return air valve	191.101.104	-
9	Pressure ring	151.103.106	10	34	Spiral outer hose ø 42,5/36	176.425.360	-
10	Torch body locking ring	127.101.103	5	35	Back cable support (water torches)	156.101.106	-
11	Torch body 22°	216.224.001	-	37	Water out hose "Black" ø 9/5	202.090.050	-
11	Torch body 45°	216.454.001	-	38	Male water-fitting ø 6	150.108.115	10
12	Torch body 0°	216.004.001	-	39	Euro connector	142.105.123	-
13	Central body protection "WRT"	137.106.107	-	40	Locking ring	127.102.102	-
14	Torch body protection "WRT"	151.105.109	-	41	m.3 uncoated liner for wire ø 1,0/1,2	189.060.302	-
15	Screws torch body "WRT"	181.107.101	10	41	m.3 liner for Al wire ø 1,0/1,2 TEFLON	134.010.302	-
16	Liner for torch body wire ø 1,0/1,2	131.101.117	-	41	m.4 liner for Al wire ø 0,8/1,0 CARBO	134.030.402	-
				41	m.4 liner for Al wire ø 1,2/1,6 CARBO	134.090.402	-
				42	Liner nut	117.101.101	10
				44	Fitting spiral outer hose	157.100.002	-

# WRT.36 - DELFOROBOT - LIQUID

## COMPLETE AUTOMATION TORCH 350 A. LIQUID COOLED



### TECHNICAL DATA

<b>Technical data:</b>	(EN60974-7)
<b>Rating CO<sub>2</sub>:</b>	350 A.
<b>Rating mixed Gas (M21):</b>	300 A.
<b>Duty Cycle:</b>	100%
<b>Wire Size:</b>	Ø 0,8-1,4 mm

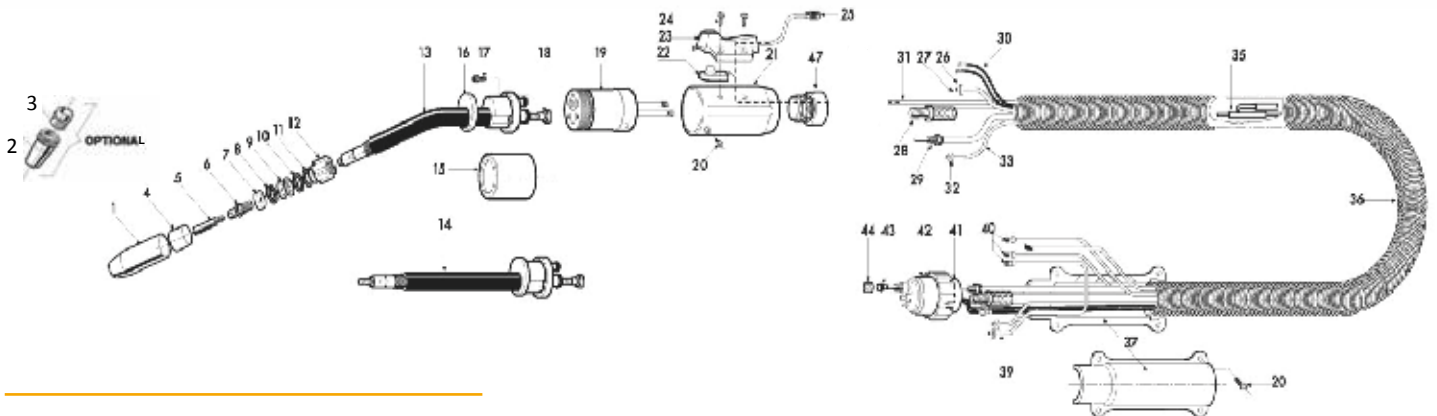
\*Rating data determined under normal conditions at low to medium reflected heat, free air circulation and at 28°C ambient temperature. When used under more difficult conditions, the rating data must be reduced by 10-20%. The rating data are reduced up to 35% for pulse arc welding.

### SPARE PARTS LIST

POS.	DESCRIPTION	PART. NO.	BAG	POS.	DESCRIPTION	PART. NO.	BAG
1 ÷ 16	Complete torch body 22°	281.221.001	-	16	Liner for torch body wire ø 1,0/1,2	131.101.117	-
1 ÷ 16	Complete torch body 45°	281.451.001	-	17 ÷ 44	Power cable assy Automation w/centr. body m...	123.080...*2	-
1 ÷ 16	Complete torch body 0°	281.001.001	-	17	Central body	100.106.103	-
1	Gas nozzle øi. 15,5 length 68,5	179.109.120	5	18	Screw M,4x5	181.103.104	10
1	Gas nozzle øi. 13 length 68,5	179.109.121	5	19	Handle case Automation	137.106.106	-
1/A	Front nozzle øi. 15	179.102.108	5	20	Fitting spiral outer hose	157.100.002	-
1/B	Back nozzle	179.108.103	5	24	Hose clamp ø 10,5	101.106.205	10
2	Nozzle insulator	103.102.103	5	25	Water in hose "Black" ø 9/5	202.090.050	-
3	Contact tip M8x40 Cu-Cr-Zr ø 0,8	147.020.108	25	26	Power cable m...	112.020.*1	-
3	Contact tip M8x40 Cu-Cr-Zr ø 1,0	147.020.110	25	27	Liner carrier m...	145.030.*1	-
3	Contact tip M8x40 Cu-Cr-Zr ø 1,2	147.020.112	25	34	Spiral outer hose ø 42,5/36	176.425.360	-
3	Contact tip M8x40 Cu-Cr-Zr ø 1,4	147.020.114	25	35	Back cable support (water torches)	156.101.106	-
4	Gas diffuser	118.103.109	5	37	Water out hose "Black" ø 9/5	202.090.050	-
5	Insulating support ring	151.104.106	10	38	Male water-fitting ø 6	150.108.115	10
6	Rubber O ring	101.102.206	10	39	Euro connector	142.105.123	-
7	Water distributor	119.101.104	10	40	Locking ring	127.102.102	-
8	Rubber O ring	101.102.206	10	41	m.3 uncoated liner for wire ø 1,0/1,2	189.060.302	-
9	Pressure ring	151.103.106	10	41	m.3 liner for Al wire ø 1,0/1,2 TEFLON	134.010.302	-
10	Torch body locking ring	127.101.103	5	41	m.4 liner for Al wire ø 0,8/1,0 CARBO	134.030.402	-
11	Torch body 22°	216.224.001	-	41	m.4 liner for Al wire ø 1,2/1,6 CARBO	134.090.402	-
11	Torch body 45°	216.454.001	-	42	Liner nut	117.101.101	10
12	Torch body 0°	216.004.001	-	43	Hose clamp ø 9,5	101.106.202	10
13	Central body protection "WRT"	137.106.107	-	44	Gas hose "Black" ø 8/5	166.081.051	-
14	Torch body protection "WRT"	151.105.109	-				
15	Screws torch body "WRT"	181.107.101	10				

# WRT.50 - DELFOROBOT - LIQUID

## COMPLETE ROBOT TORCH 550 A. LIQUID COOLED



### TECHNICAL DATA

<b>Technical data:</b>	(EN60974-7)
<b>Rating CO<sub>2</sub>:</b>	550 A.
<b>Rating mixed Gas (M21):</b>	500 A.
<b>Duty Cycle:</b>	100%
<b>Wire Size:</b>	Ø 0,8-1,6 mm

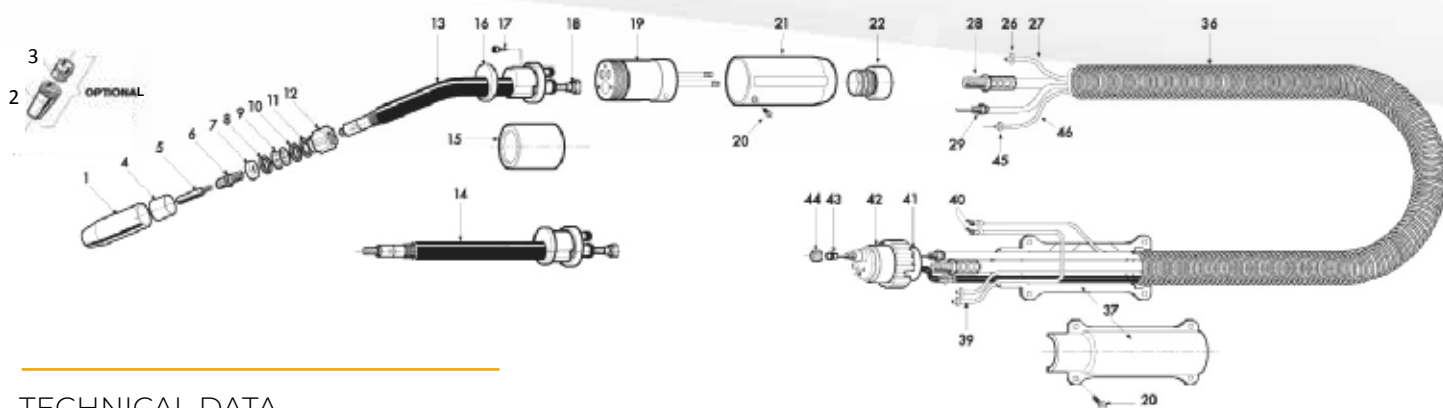
\*Rating data determined under normal conditions at low to medium reflected heat, free air circulation and at 28°C ambient temperature. When used under more difficult conditions, the rating data must be reduced by 10-20%. The rating data are reduced up to 35% for pulse arc welding.

### SPARE PARTS LIST

POS.	DESCRIPTION	PART. NO.	BAG	POS.	DESCRIPTION	PART. NO.	BAG
1 ÷ 18	Complete torch body 22°	281.222.001	-	19 ÷ 47	Power cable assy Robot w/centr. body m....	123.070.*2	-
1 ÷ 18	Complete torch body 45°	281.452.001	-	19	Central body	100.106.103	-
1 ÷ 18	Complete torch body 0°	281.002.001	-	20	Screw M.4x5	181.103.104	10
1	Gas nozzle øi. 15,5 length 76	179.109.115	5	21	Handle case for microswitch	137.107.101	-
1	Gas nozzle øi. 13 length 76	179.109.106	5	22	Microswitch	339.101.100	-
1	Nozzle øi. 15,5 with cavity length 76 mm	179.111.101	1	23	Switch support	156.103.101	-
2	Front nozzle øi. 17	179.102.102	5	24	Screw back support	181.106.101	10
3	Back nozzle	179.108.102	5	25	Straight plug -3 pole	183.103.103	-
4	Nozzle insulator	103.102.102	5	26	Hose clamp ø 10,5	101.106.205	10
5	Contact tip M8x30 Cu-Cr-Zr ø 1,0	147.020.310	25	27	Water in hose "Black" ø 9/5	202.090.050	-
5	Contact tip M8x30 Cu-Cr-Zr ø 1,2	147.020.312	25	28	Power cable m...	112.020.*1	-
5	Contact tip M8x30 Cu-Cr-Zr ø 1,4	147.020.314	25	29	Liner carrier m...	145.030.*1	-
5	Contact tip M8x30 Cu-Cr-Zr ø 1,6	147.020.316	25	30	Control cable 2-pole	143.101.102	-
6	Gas diffuser	118.103.103	5	31	Control cable 4-pole for antishock	143.101.103	-
7	Insulating support ring	151.104.104	10	32	Hose clamp ø 9,5	101.106.202	10
8	Rubber O ring	135.101.103	10	33	Gas /Air hose "Black" ø 8/5	166.081.051	-
9	Water distributor	119.101.103	10	35	No return air valve	191.101.104	-
10	Rubber O ring	135.101.103	10	36	Spiral outer hose ø 42,5/36	176.425.360	-
11	Pressure ring	151.103.104	10	37	Back cable support (water torches)	156.101.106	-
12	Torch body locking ring	127.101.103	5	39	Water out hose "Black" ø 9/5	202.090.050	-
13	Torch body 22°	216.224.002	-	40	Male water-fitting ø 6	150.108.115	10
13	Torch body 45°	216.454.002	-	41	Euro connector	142.105.123	-
14	Torch body 0°	216.004.002	-	42	Locking ring	127.102.102	-
15	Central body protection "WRT"	137.106.107	-	43	m.3 uncoated liner for wire ø 1,0/1,2	189.060.302	-
16	Torch body protection "WRT"	151.105.109	-	43	m.3 uncoated liner for wire ø 1,2/1,6	189.070.302	-
17	Screws torch body "WRT"	181.107.101	10	43	m.3 liner for Al wire ø 1,0/1,2 TEFLON	134.010.302	-
18	Liner for torch body wire ø 1,0/1,2	131.101.117	-	43	m.3 liner for Al wire ø 1,6/2,4 TEFLON	134.020.302	-
18	Liner for torch body wire ø 1,2/1,6	131.101.118	-	43	m.4 liner for Al wire ø 0,8/1,0 CARBO	134.030.402	-
				43	m.4 liner for Al wire ø 1,2/1,6 CARBO	134.090.402	-
				44	Liner nut	117.101.101	10
				47	Fitting spiral outer hose	157.100.002	-

# WRT.50 - DELFOROBOT - LIQUID

## COMPLETE AUTOMATION TORCH 550 A. LIQUID COOLED



### TECHNICAL DATA

<b>Technical data:</b>	(EN60974-7)
<b>Rating CO<sub>2</sub>:</b>	550 A.
<b>Rating mixed Gas (M21):</b>	500 A.
<b>Duty Cycle:</b>	100%
<b>Wire Size:</b>	Ø 0,8-1,6 mm

\*Rating data determined under normal conditions at low to medium reflected heat, free air circulation and at 28°C ambient temperature. When used under more difficult conditions, the rating data must be reduced by 10-20%. The rating data are reduced up to 35% for pulse arc welding.

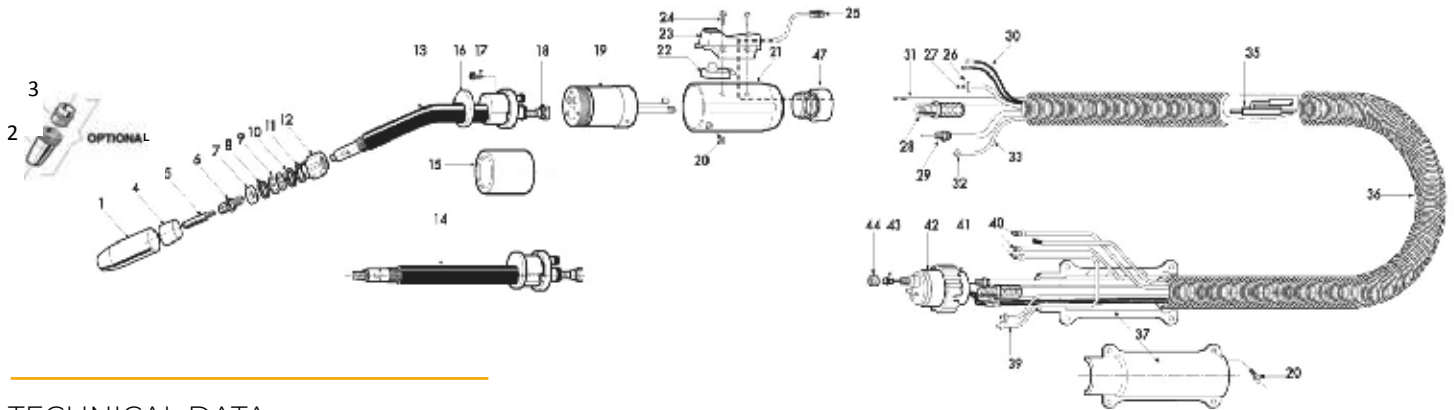
### SPARE PARTS LIST

POS.	DESCRIZIONE	CODICE	CONF.	POS.	DESCRIZIONE	CODICE	CONF.
1 ÷ 18	Complete torch body 22°	281.222.001	-	18	Liner for torch body wire ø 1,0/1,2	131.101.117	-
1 ÷ 18	Complete torch body 45°	281.452.001	-	18	Liner for torch body wire ø 1,2/1,6	131.101.118	-
1 ÷ 18	Complete torch body 0°	281.002.001	-	19 ÷ 46	Power cable assy Automation w/centr. body m...	123.080.*2	-
1	Gas nozzle øi. 15,5 length 76	179.109.115	5	19	Central body	100.106.103	-
1	Gas nozzle øi. 13 length 76	179.109.106	5	20	Screw M.4x5	181.103.104	10
1	Nozzle øi. 15,5 with cavity length 76 mm	179.111.101	1	21	Handle case Automation	137.106.106	-
2	Front nozzle øi. 17	179.102.102	5	22	Fitting spiral outer hose	157.100.002	-
3	Back nozzle	179.108.102	5	26	Hose clamp ø 10,5	101.106.205	10
4	Nozzle insulator	103.102.102	5	27	Water in hose "Black" ø 9/5	202.090.050	-
5	Contact tip M8x30 Cu-Cr-Zr ø 1,0	147.020.310	25	28	Power cable m...	112.020.*1	-
5	Contact tip M8x30 Cu-Cr-Zr ø 1,2	147.020.312	25	29	Liner carrier m...	145.030.*1	-
5	Contact tip M8x30 Cu-Cr-Zr ø 1,4	147.020.314	25	36	Spiral outer hose ø 42,5/36	176.425.360	-
5	Contact tip M8x30 Cu-Cr-Zr ø 1,6	147.020.316	25	37	Back cable support (water torches)	156.101.106	-
6	Gas diffuser	118.103.103	5	39	Water out hose "Black" ø 9/5	202.090.050	-
7	Insulating support ring	151.104.104	10	40	Male water-fitting ø 6	150.108.115	10
8	Rubber O ring	135.101.103	10	41	Euro connector	142.105.123	-
9	Water distributor	119.101.103	10	42	Locking ring	127.102.102	-
10	Rubber O ring	135.101.103	10	43	m.3 uncoated liner for wire ø 1,0/1,2	189.060.302	-
11	Pressure ring	151.103.104	10	43	m.3 uncoated liner for wire ø 1,2/1,6	189.070.302	-
12	Torch body locking ring	127.101.103	5	43	m.3 liner for Al wire ø 1,0/1,2 TEFLON	134.010.302	-
13	Torch body 22°	216.224.002	-	43	m.3 liner for Al wire ø 1,6/2,4 TEFLON	134.020.302	-
13	Torch body 45°	216.454.002	-	43	m.4 liner for Al wire ø 0,8/1,0 CARBO	134.030.402	-
14	Torch body 0°	216.004.002	-	43	m.4 liner for Al wire ø 1,2/1,6 CARBO	134.090.402	-
15	Central body protection "WRT"	137.106.107	-	44	Liner nut	117.101.101	10
16	Torch body protection "WRT"	151.105.109	-	45	Hose clamp ø 9,5	101.106.202	10
17	Screws torch body "WRT"	181.107.101	10	46	Gas hose "Black" ø 8/5	166.081.051	-

\*Specify length

# WRT.65 - DELFOROBOT - LIQUID

## COMPLETE ROBOT TORCH 650 A. LIQUID COOLED



### TECHNICAL DATA

<b>Technical data:</b>	(EN60974-7)
<b>Rating CO<sub>2</sub>:</b>	650 A.
<b>Rating mixed Gas (M21):</b>	600 A.
<b>Duty Cycle:</b>	100%
<b>Wire Size:</b>	Ø 0,8-2,0 mm

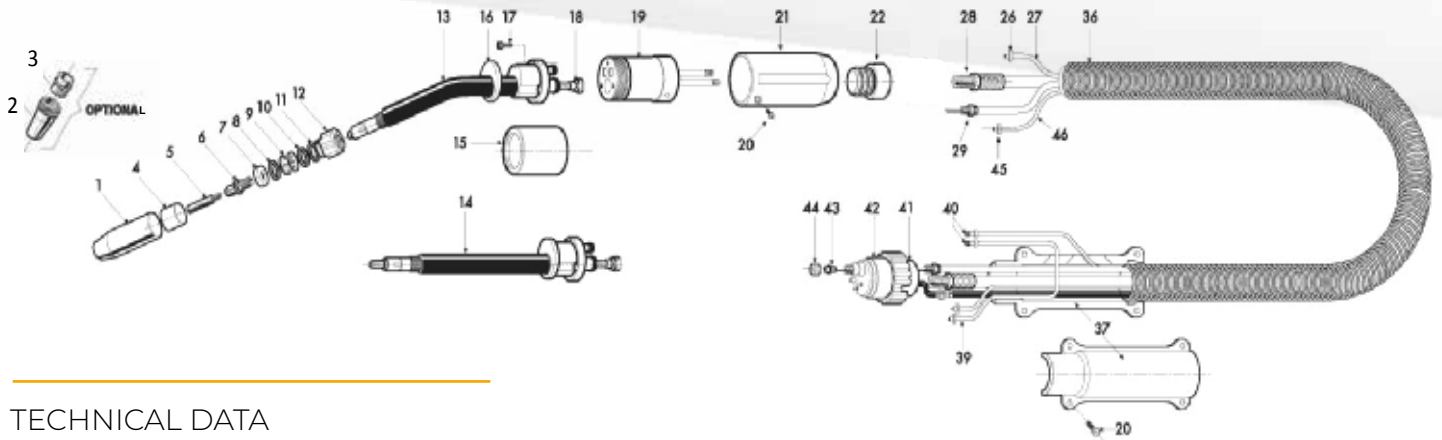
\*Rating data determined under normal conditions at low to medium reflected heat, free air circulation and at 28°C ambient temperature. When used under more difficult conditions, the rating data must be reduced by 10-20%. The rating data are reduced up to 35% for pulse arc welding.

### SPARE PARTS LIST

POS.	DESCRIPTION	PART. NO.	BAG	POS.	DESCRIPTION	PART. NO.	BAG
1 ÷ 18	Complete torch body 22°	281.223.001	-	19	Central body	100.106.103	-
1 ÷ 18	Complete torch body 45°	281.453.001	-	20	Screw M.4x5	181.103.104	10
1 ÷ 18	Complete torch body 0°	281.003.001	-	21	Handle case for microswitch	137.107.101	-
1	Gas nozzle øi. 19 length 85	179.105.107	5	22	Microswitch	339.101.100	-
1	Gas nozzle øi. 17 length 85	179.109.109	5	23	Switch support	156.103.101	-
2	Front nozzle øi. 19	179.102.101	5	24	Screw back support	181.106.101	10
3	Back nozzle	179.108.101	5	25	Straight plug -3 pole	183.103.103	-
4	Nozzle insulator	103.102.101	5	26	Hose clamp ø 10,5	101.106.205	10
5	Contact tip M8x40 Cu-Cr-Zr ø 1,2	147.020.112	25	27	Water in hose "Black" ø 9/5	202.090.050	-
5	Contact tip M8x40 Cu-Cr-Zr ø 1,4	147.020.114	25	28	Power cable m...	112.020...*1	-
5	Contact tip M8x40 Cu-Cr-Zr ø 1,6	147.020.116	25	29	Liner carrier m...	145.030...*1	-
5	Contact tip M8x40 Cu-Cr-Zr ø 2,0	147.020.120	25	30	Control cable 2-pole	143.101.102	-
5	Contact tip M8x40 Cu-Cr-Zr ø 2,4	147.020.124	25	31	Control cable 4-pole for antishock	143.101.103	-
6	Gas diffuser	118.103.107	5	32	Hose clamp ø 9,5	101.106.202	10
7	Insulating support ring	151.104.105	10	33	Gas /Air hose "Black" ø 8/5	166.081.051	-
8	Rubber O ring	135.101.101	10	35	No return air valve	191.101.104	-
9	Water distributor	119.101.101	10	36	Spiral outer hose ø 42,5/36	176.425.360	-
10	Rubber O ring	135.101.101	10	37	Back cable support (water torches)	156.101.106	-
11	Pressure ring	151.103.105	10	39	Water out hose "Black" ø 9/5	202.090.050	-
12	Torch body locking ring	127.101.104	5	40	Male water-fitting ø 6	150.108.115	10
13	Torch body 22°	216.224.003	-	41	Euro connector	142.105.123	-
13	Torch body 45°	216.454.003	-	42	Locking ring	127.102.102	-
14	Torch body 0°	216.004.003	-	43	m.3 uncoated liner for wire ø 1,0/1,2	189.060.302	-
15	Central body protection "WRT"	137.106.107	-	43	m.3 uncoated liner for wire ø 1,2/1,6	189.070.302	-
16	Torch body protection "WRT"	151.105.109	-	43	m.3 uncoated liner for wire ø 2,0/2,4	189.080.302	-
17	Screws torch body "WRT"	181.107.101	10	43	m.3 liner for Al wire ø 1,0/1,2 TEFLON	134.010.302	-
18	Liner for torch body wire ø 1,0/1,2	131.101.117	-	43	m.3 liner for Al wire ø 1,6/2,4 TEFLON	134.020.302	-
18	Liner for torch body wire ø 1,2/1,6	131.101.118	-	43	m.4 liner for Al wire ø 0,8/1,0 CARBO	134.030.402	-
18	Liner for torch body wire ø 2,0/2,4	131.101.119	-	43	m.4 liner for Al wire ø 1,2/1,6 CARBO	134.090.402	-
19 ÷ 47	47 Power cable assy Robot w/centr. body m...	123.070...*2	-	44	Liner nut	117.101.101	10
				47	Fitting spiral outer hose	157.100.002	-

# WRT.65 - DELFOROBOT - LIQUID

## COMPLETE AUTOMATION TORCH 650 A. LIQUID COOLED



### TECHNICAL DATA

<b>Technical data:</b>	(EN60974-7)
<b>Rating CO<sub>2</sub>:</b>	650 A.
<b>Rating mixed Gas (M21):</b>	600 A.
<b>Duty Cycle:</b>	100%
<b>Wire Size:</b>	Ø 0,8-2,0 mm

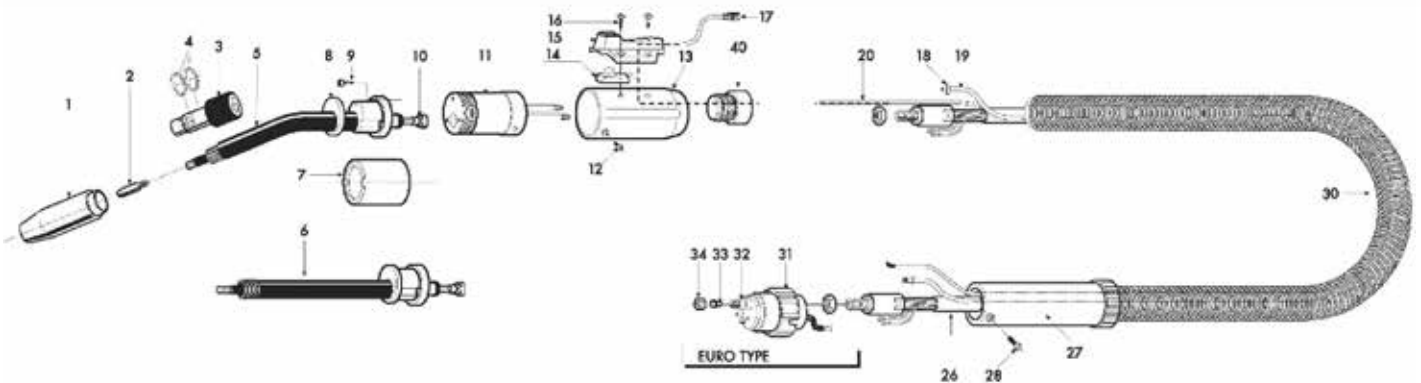
\*Rating data determined under normal conditions at low to medium reflected heat, free air circulation and at 28°C ambient temperature. When used under more difficult conditions, the rating data must be reduced by 10-20%. The rating data are reduced up to 35% for pulse arc welding.

### SPARE PARTS LIST

POS.	DESCRIPTION	PART. NO.	BAG	POS.	DESCRIPTION	PART. NO.	BAG
1 ÷ 18	Complete torch body 22°	281.223.001	-	18	Liner for torch body wire ø 1,2/1,6	131.101.118	-
1 ÷ 18	Complete torch body 45°	281.453.001	-	18	Liner for torch body wire ø 2,0/2,4	131.101.119	-
1 ÷ 18	Complete torch body 0°	281.003.001	-	19 ÷ 46	Power cable assy Automation w/centr. body m....	123.080...*2	-
1	Gas nozzle øi. 19 length 85	179.105.107	5	19	Central body	100.106.103	-
1	Gas nozzle øi. 17 length 85	179.109.109	5	20	Screw M.4x5	181.103.104	10
2	Front nozzle øi. 19	179.102.101	5	21	Handle case Automation	137.106.106	-
3	Back nozzle	179.108.101	5	22	Fitting spiral outer hose	157.100.002	-
4	Nozzle insulator	103.102.101	5	26	Hose clamp ø 10,5	101.106.205	10
5	PContact tip M8x40 Cu-Cr-Zr ø 1,2	147.020.112	25	27	Water in hose "Black" ø 9/5	202.090.050	-
5	Contact tip M8x40 Cu-Cr-Zr ø 1,4	147.020.114	25	28	Power cable m...	112.020.*1	-
5	Contact tip M8x40 Cu-Cr-Zr ø 1,6	147.020.116	25	29	Liner carrier m...	145.030.*1	-
5	Contact tip M8x40 Cu-Cr-Zr ø 2,0	147.020.120	25	36	Spiral outer hose ø 42,5/36	176.425.360	-
5	Contact tip M8x40 Cu-Cr-Zr ø 2,4	147.020.124	25	37	Back cable support (water torches)	156.101.106	-
6	Gas diffuser	118.103.107	5	39	Water out hose "Black" ø 9/5	202.090.050	-
7	Insulating support ring	151.104.105	10	40	Male water-fitting ø 6	150.108.115	10
8	Rubber O ring	135.101.101	10	41	Euro connector	142.105.123	-
9	Water distributor	119.101.101	10	42	Locking ring	127.102.102	-
10	Rubber O ring	135.101.101	10	43	m.3 uncoated liner for wire ø 1,0/1,2	189.060.302	-
11	Pressure ring	151.103.105	10	43	m.3 uncoated liner for wire ø 1,2/1,6	189.070.302	-
12	Torch body locking ring	127.101.104	5	43	m.3 uncoated liner for wire ø 2,0/2,4	189.080.302	-
13	Torch body 22°	216.224.003	-	43	m.3 liner for Al wire ø 1,0/1,2 TEFLON	134.010.302	-
13	Torch body 45°	216.454.003	-	43	m.3 liner for Al wire ø 1,6/2,4 TEFLON	134.020.302	-
14	Torch body 0°	216.004.003	-	43	m.4 liner for Al wire ø 0,8/1,0 CARBO	134.030.402	-
15	Central body protection "WRT"	137.106.107	-	43	m.4 liner for Al wire ø 1,2/1,6 CARBO	134.090.402	-
16	Torch body protection "WRT"	151.105.109	-	44	Liner nut	117.101.101	10
17	Screws torch body "WRT"	181.107.101	10	45	Hose clamp ø 9,5	101.106.202	10
18	Liner for torch body wire ø 1,0/1,2	131.101.117	-	46	Gas hose "Black" ø 8/5	166.081.051	-

# ART.30 - DELFOROBOT - AIR

## COMPLETE ROBOT TORCH 300 A. AIR COOLED



### TECHNICAL DATA

<b>Technical data:</b>	(EN60974-7)
<b>Rating CO<sub>2</sub>:</b>	300 A.
<b>Rating mixed Gas (M21):</b>	230 A.
<b>Duty Cycle:</b>	100%
<b>Wire Size:</b>	Ø 0,8-1,4 mm

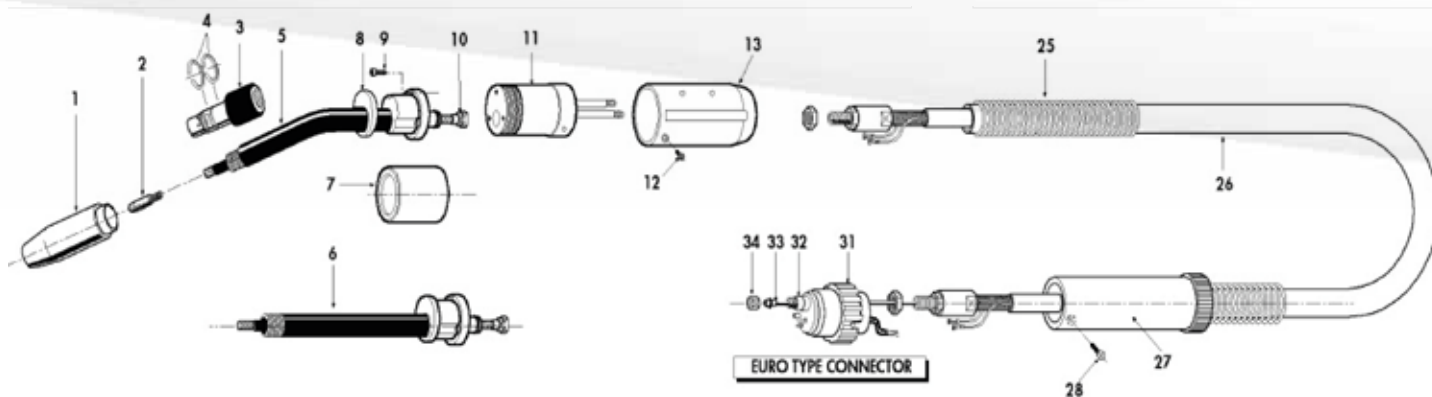
\*Rating data determined under normal conditions at low to medium reflected heat, free air circulation and at 28°C ambient temperature. When used under more difficult conditions, the rating data must be reduced by 10-20%. The rating data are reduced up to 35% for pulse arc welding.

### SPARE PARTS LIST

POS.	DESCRIPTION	PART. NO.	BAG	POS.	DESCRIPTION	PART. NO.	BAG
1 ÷ 10	Complete torch body 22°	283.222.001	-	13	Handle case for microswitch	137.107.101	-
1 ÷ 10	Complete torch body 45°	283.452.001	-	14	Microswitch	339.101.100	-
1 ÷ 10	Complete torch body 0°	283.002.001	-	15	Switch support	156.103.101	-
1	Gas nozzle ø. 15,5 length 75,5	179.109.125	5	16	Screw back support	181.106.101	10
1	Gas nozzle ø. 13 length 75,5	179.109.113	5	17	Straight plug -3 pole	183.103.103	-
2	Contact tip M8x40 Cu-Cr-Zr ø 1,0	147.020.110	25	18	Hose clamp ø 9,5	101.106.202	10
2	Contact tip M8x40 Cu-Cr-Zr ø 1,2	147.020.112	25	19	Air hose "Black" ø 8/5	166.081.051	-
2	Contact tip M8x40 Cu-Cr-Zr ø 1,4	147.020.114	25	20	Control cable 4-pole for antishock	143.101.103	-
3	Gas diffuser	118.102.122	5	27	Back cable support (air torches)	156.101.103	-
4	Elastic ring	101.101.103	10	28	Screw back support (air torch)	181.106.101	10
5	Torch body 22°	216.223.006	-	30	Spiral outer hose ø 42,5/36	176.425.360	-
5	Torch body 45°	216.453.006	-	31	Locking ring	127.102.102	-
6	Torch body 0°	216.003.006	-	32	Euro connector	142.105.113	-
7	Central body protection "WRT"	137.106.107	-	33	3,0 m. steel liner Blue for wire ø 0,6/1,0	130.020.302	-
8	Torch body protection "WRT"	151.105.109	-	33	3,0 m. steel liner Jellow for wire ø 1,0/1,2	130.030.302	-
9	Screws torch body "WRT"	181.107.101	10	33	m.3 liner for Al wire ø 1,0/1,2 Tefoln	134.010.302	-
10	Liner for torch body wire ø 1,0/1,2	131.101.117	-	33	m.4 liner for Al wire ø 0,8/1,0 Carbo	134.030.402	-
11 ÷ 40	Power cable assy Robot w/centr. body m...	108.501...*2	-	33	m.4 liner for Al wire ø 1,2/1,6 Carbo	134.090.402	-
11	Central body	100.106.104	-	34	Liner nut	117.101.101	10
12	Screw M.4x5	181.103.104	10	40	Fitting spiral outer hose	157.100.002	-

# ART.30 - DELFOROBOT - AIR

## COMPLETE AUTOMATION TORCH 300 A. AIR COOLED



### TECHNICAL DATA

<b>Technical data:</b>	(EN60974-7)
<b>Rating CO<sub>2</sub>:</b>	300 A.
<b>Rating mixed Gas (M21):</b>	230 A.
<b>Duty Cycle:</b>	100%
<b>Wire Size:</b>	Ø 0,8-1,4 mm

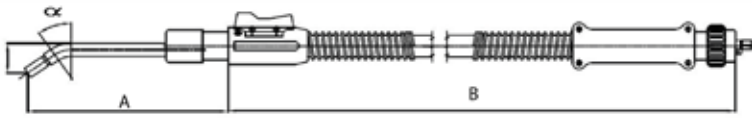
\*Rating data determined under normal conditions at low to medium reflected heat, free air circulation and at 28°C ambient temperature. When used under more difficult conditions, the rating data must be reduced by 10-20%. The rating data are reduced up to 35% for pulse arc welding.

### SPARE PARTS LIST

POS.	DESCRIPTION	PART. NO.	BAG	POS.	DESCRIPTION	PART. NO.	BAG
1 ÷ 10	Complete torch body 22°	283.222.001	-	10	Liner for torch body wire ø 1,0/1,2	131.101.117	-
1 ÷ 10	Complete torch body 45°	283.452.001	-	11 ÷ 40	Power cable assy w/centr. body m...	108.502.*2	-
1 ÷ 10	Complete torch body 0°	283.002.001	-	11	Central body	100.106.104	-
1	Gas nozzle øi. 15,5 length 75,5	179.109.125	5	12	Screw M.4x5	181.103.104	10
1	Gas nozzle øi. 13 length 75,5	179.109.113	5	13	Handle case Automation	137.106.106	-
2	Contact tip M8x40 Cu-Cr-Zr ø 1,0	147.020.110	25	27	Back cable support (air torches)	156.101.103	-
2	Contact tip M8x40 Cu-Cr-Zr ø 1,2	147.020.112	25	28	Screw back support (air torch)	181.106.101	10
2	Contact tip M8x40 Cu-Cr-Zr ø 1,4	147.020.114	25	31	Locking ring	127.102.102	-
3	Gas diffuser	118.102.122	5	32	Euro connector	142.105.113	-
4	Elastic ring	101.101.103	10	33	3,0 m. steel liner Blue for wire ø 0,6/1,0	130.020.302	-
5	Torch body 22°	216.223.006	-	33	3,0 m. steel liner Jellow for wire ø 1,0/1,2	130.030.302	-
5	Torch body 45°	216.453.006	-	33	m.3 liner for Al wire ø 1,0/1,2 Tefoln	134.010.302	-
6	Torch body 0°	216.003.006	-	33	m.4 liner for Al wire ø 0,8/1,0 Carbo	134.030.402	-
7	Central body protection "WRT"	137.106.107	-	33	m.4 liner for Al wire ø 1,2/1,6 Carbo	134.090.402	-
8	Torch body protection "WRT"	151.105.109	-	34	Liner nut	117.101.101	10
9	Screws torch body "WRT"	181.107.101	10				

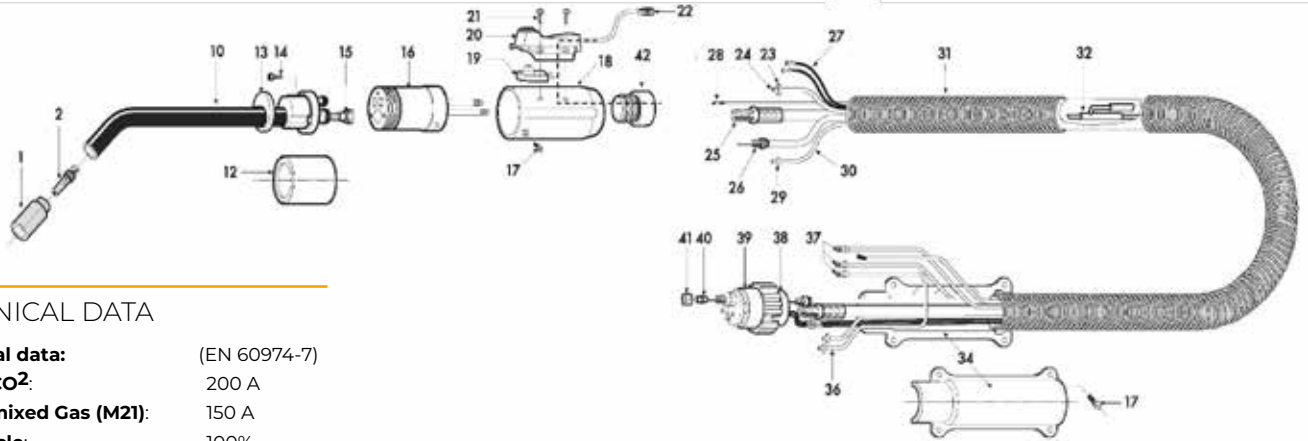
# WRTS.20 - DELFOROBOT - LIQUID

## SPECIAL ROBOT TORCH 200 A. LIQUID COOLED



\* Indicare: A - B -  $\alpha$

MODEL	ANGLE $\alpha$	LENGTH A=..*.mm	LENGTH B=..*.mm
WRTS.20.	on request	on request	on request



### TECHNICAL DATA

<b>Technical data:</b>	(EN 60974-7)
<b>Rating CO<sub>2</sub>:</b>	200 A
<b>Rating mixed Gas (M21):</b>	150 A
<b>Duty Cycle:</b>	100%
<b>Wire Size:</b>	Ø 0,8 - 1,6

\*Rating data determined under normal conditions at low to medium reflected heat, free air circulation and at 28°C ambient temperature. When used under more difficult conditions, the rating data must be reduced by 10-20%. The rating data are reduced up to 35% for pulse arc welding.

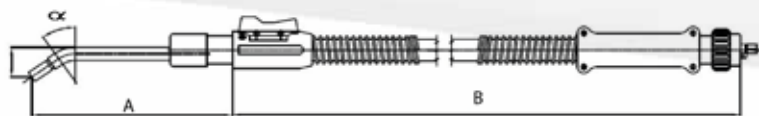
### SPARE PARTS LIST

POS.	DESCRIPTION	PART. NO.	BAG	POS.	DESCRIPTION	PART. NO.	BAG
1 ÷ 15	Complete torch body **	281.....*	-	23	Hose clamp ø 10,5	101.106.205	10
1	Alumina cup gr.6 13N10	379.102.106	10	24	Water in hose "Black" ø 9/5	202.090.050	-
1	Alumina cup gr.7 13N11	379.102.107	10	25	Power cable m...	112.020...*1	-
1	Alumina cup gr.8 13N12	379.102.108	10	26	Liner carrier m...	145.030...*1	-
1	Alumina cup gr.10 13N13	379.102.110	10	27	Control cable 2-pole	143.101.102	-
2	Contact tip & gas diffuser ø 0,8	147.070.108	-	28	Control cable 4-pole for antishock	143.101.103	-
2	Contact tip & gas diffuser ø 1,0	147.070.110	-	29	Hose clamp ø 9,5	101.106.202	10
2	Contact tip & gas diffuser ø 1,2	147.070.112	-	30	Gas /Air hose "Black" ø 8/5	166.081.051	-
2	Contact tip & gas diffuser ø 1,6	147.070.116	-	31	Spiral outer hose ø 42,5/36	176.425.360	-
10	Torch body special **	216.....*	-	32	No return air valve	191.101.104	-
12	Central body protection "WRT"	137.106.107	-	34	Back cable support (water torches)	156.101.106	-
13	Torch body protection "WRT"	151.105.109	-	36	Water out hose "Black" ø 9/5	202.090.050	-
14	Screws torch body "WRT"	181.107.101	10	37	Male water-fitting ø 6	150.108.115	10
15	Liner for torch body wire ø 0,8/1,2	131.101.117	-	38	Euro connector	142.105.123	-
15	Liner for torch body wire ø 1,2/1,6	131.101.118	-	39	Locking ring	127.102.102	-
16 ÷ 42	Power cable assy Robot w/centr. body m...	123.070...*2	-	40	m.3 uncoated liner for wire ø 0,8/1,2	189.060.302	-
16	Central body	100.106.103	-	40	m.3 uncoated liner for wire ø 1,2/1,6	189.070.302	-
17	Screw M.4x5	181.103.104	10	40	m.3 liner for Al wire ø 1,0/1,2 TEFLON	134.010.302	-
18	Handle case for microswitch	137.107.101	-	43	m.3 liner for Al wire ø 1,6/2,4 TEFLON	134.020.302	-
19	Microswitch	339.101.100	-	40	m.4 liner for Al wire ø 0,8/1,0 CARBO	134.030.402	-
20	Switch support	156.103.101	-	40	m.4 liner for Al wire ø 1,2/1,6 CARBO	134.090.402	-
21	Screw back support	181.106.101	10	41	Liner nut	117.101.101	10
22	Straight plug -3 pole	183.103.103	-	42	Fitting spiral outer hose	157.100.002	-

\*Indicate power cable assy desired length "B"

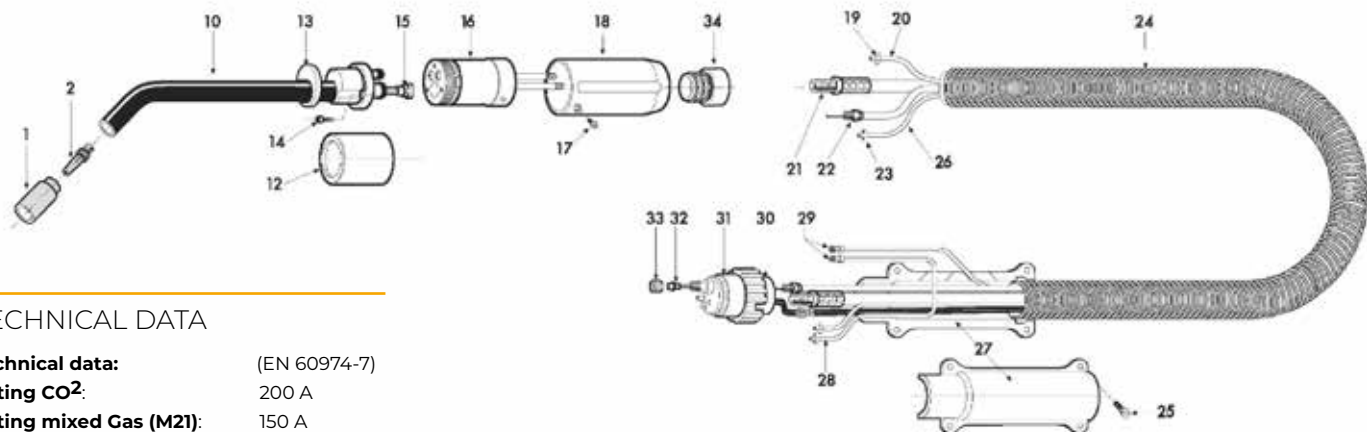
# WRTS.20 - DELFOROBOT - LIQUID

## SPECIAL AUTOMATION TORCH 200 A. LIQUID COOLED



\* Indicare: A - B -  $\alpha$

MODEL	ANGLE $\alpha$	LENGTH A=..*..mm	LENGTH B=..*..mm
WRTS.20.	on request	on request	on request



### TECHNICAL DATA

<b>Technical data:</b>	(EN 60974-7)
<b>Rating CO<sup>2</sup>:</b>	200 A
<b>Rating mixed Gas (M21):</b>	150 A
<b>Duty Cycle:</b>	100%
<b>Wire Size:</b>	Ø 0,8 - 1,6

\*Rating data determined under normal conditions at low to medium reflected heat, free air circulation and at 28°C ambient temperature. When used under more difficult conditions, the rating data must be reduced by 10-20%. The rating data are reduced up to 35% for pulse arc welding.

### SPARE PARTS LIST

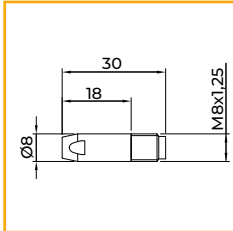
POS.	DESCRIPTION	PART. NO.	BAG	POS.	DESCRIPTION	PART. NO.	BAG
1 ÷ 15	Complete torch body **	281.....*	-	20	Water in hose "Black" ø 9/5	20.209.050	-
1	Alumina cup gr.6 13N10	379.102.106	10	21	Power cable m...	112.020.*1	-
1	Alumina cup gr.7 13N11	379.102.107	10	22	Liner carrier m...	145.030.*1	-
1	Alumina cup gr.8 13N12	379.102.108	10	23	Hose clamp ø 9,5	101.106.202	10
1	Alumina cup gr.10 13N13	379.102.110	10	24	Spiral outer hose ø 42,5/36	176.425.360	-
2	Contact tip & gas diffuser ø 0,8	147.070.108	-	25	Screw M.4x5	181.103.104	10
2	Contact tip & gas diffuser ø 1,0	147.070.110	-	26	Gas /Air hose "Black" ø 8/5	166.081.051	-
2	Contact tip & gas diffuser ø 1,2	147.070.112	-	27	Back cable support (water torches)	156.101.106	-
2	Contact tip & gas diffuser ø 1,6	147.070.116	-	28	Water out hose "Black" ø 9/5	202.090.050	-
10	Torch body special **	216.....*	-	29	Male water-fitting ø 6	150.108.115	10
12	Central body protection "WRT"	137.106.107	-	30	Euro connector	142.105.123	-
13	Torch body protection "WRT"	151.105.109	-	31	Locking ring	127.102.102	-
14	Screws torch body "WRT"	181.107.101	10	32	m.3 uncoated liner for wire ø 0,8/1,2	189.060.302	-
15	Liner for torch body wire ø 0,8/1,2	131.101.117	-	32	m.3 uncoated liner for wire ø 1,2/1,6	189.070.302	-
15	Liner for torch body wire ø 1,2/1,6	131.101.118	-	32	m.3 liner for Al wire ø 0,8/1,2 TEFLON	134.010.302	-
16 ÷ 34	Power cable assy Automation w/centr. body m...	123.080...*2	-	32	m.3 liner for Al wire ø 1,6/2,4 TEFLON	134.020.302	-
16	Central body	100.106.103	-	32	m.4 liner for Al wire ø 0,8/1,0 CARBO	134.030.402	-
17	Screw M.4x5	181.103.104	10	32	m.4 liner for Al wire ø 1,2/1,6 CARBO	134.090.402	-
18	Handle case for Automation	137.106.106	-	33	Liner nut	117.101.101	10
19	Hose clamp ø 10,5	101.106.205	10	34	Fitting spiral outer hose	157.100.002	-

\*Indicate power cable assy desired length "B"

# OTHER CONTACT TIPS AVAILABLE

## Ø8 M8X30 WITH CALIBRATED BORE

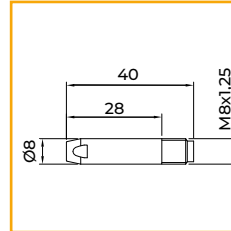
Cu - Cr - Zr



TIP I.D. (mm)	P/N
Ø 1,1	147.020.311
Ø 1,3	147.020.313

## Ø8 M8X40 WITH CALIBRATED BORE

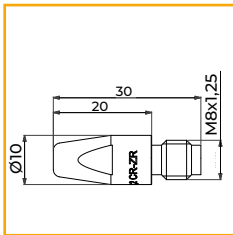
Cu - Cr - Zr



TIP I.D. (mm)	P/N
Ø 1,1	147.020.111
Ø 1,3	147.020.113

## Ø10 M8X30 WITH CALIBRATED BORE

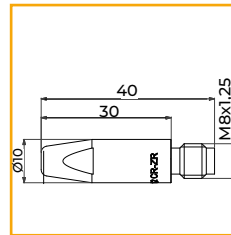
Cu - Cr - Zr



TIP I.D. (mm)	P/N
Ø 1,1	147.053.011
Ø 1,3	147.053.013

## Ø10 M8X40 WITH CALIBRATED BORE

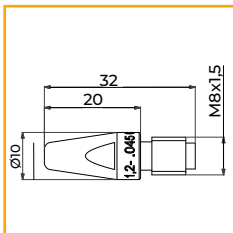
Cu - Cr - Zr



TIP I.D. (mm)	P/N
Ø 1,1	147.054.011
Ø 1,3	147.054.013

## Ø10 M8X32 "FR" TYPE

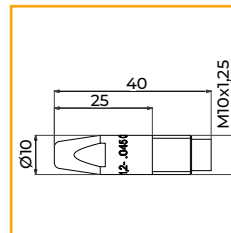
Cu - Cr - Zr



WIRE SIZE (mm)	P/N
Ø 1,0	FR08-47210
Ø 1,2	FR08-47212
Ø 1,6	FR08-47216

## Ø10 M10X40 "FR" TYPE

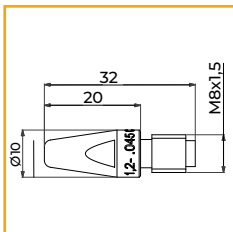
Cu - Cr - Zr



WIRE SIZE (mm)	P/N
Ø 1,0	FR10-47210
Ø 1,2	FR10-47212
Ø 1,6	FR10-47210

## Ø10 M8X32 WITH CALIBRATED BORE "FR" TYPE

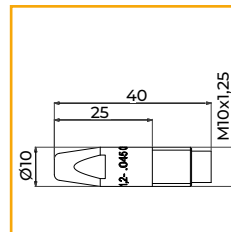
Cu - Cr - Zr



WIRE SIZE (mm)	P/N
Ø 1,1	FR08-47211
Ø 1,3	FR08-47213

## Ø10 M10X40 WITH CALIBRATED BORE "FR" TYPE

Cu - Cr - Zr



WIRE SIZE (mm)	P/N
Ø 1,1	FR10-47211
Ø 1,3	FR10-47213

N.B. Possibility of making tips with different lengths and threads



# TIG TORCHES

---

PREMIUM QUALITY

MADE IN ITALY

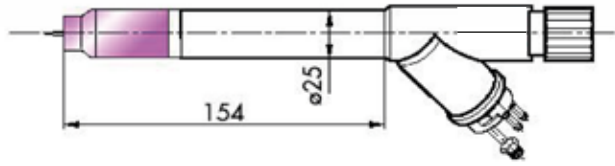
# AUTO-TIG - DELFOROBOT - LIQUID

## TORCHES FOR ROBOT & AUTOMATION

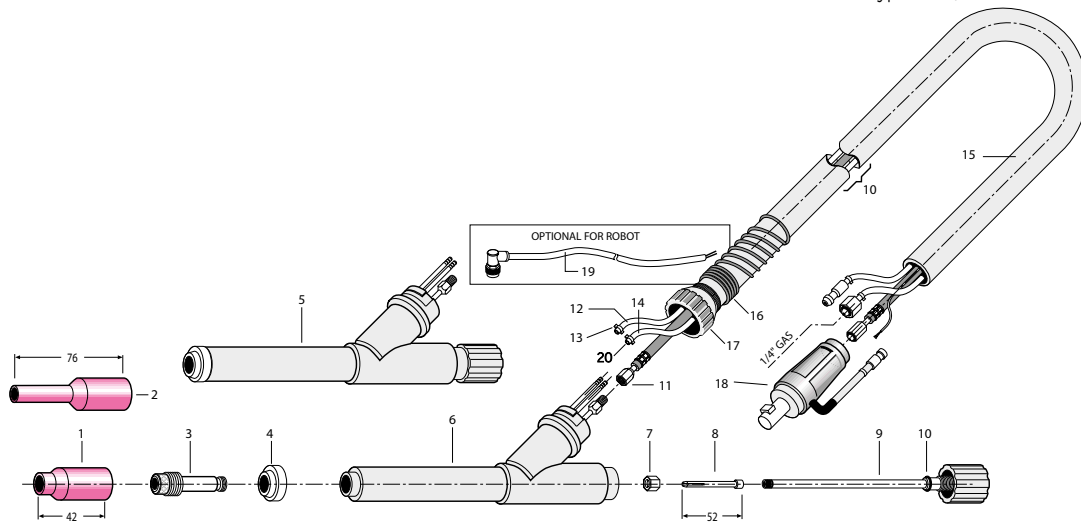
### TECHNICAL DATA

<b>Technical data:</b>	(EN60974-7)
<b>Type of cooling:</b>	liquid cooled
<b>Rating:</b>	400 A. DC
	320 A. AC
<b>Duty Cycle:</b>	100%
<b>Electrode:</b>	Ø 1,0-4,0 mm

\*Rating data determined under normal conditions at low to medium reflected heat, free air circulation and at 28°C ambient temperature. When used under more difficult conditions, the rating data must be reduced by 10-20%. The rating data are reduced up to 35% for pulse arc welding.



MODEL	DESCRIPTION	PART. NO.
Auto TIG 400W-4D	Auto-Tig torch 400W 4,0 m. Connection type D. 50/70	396.400.401
Auto TIG 400W-6D	Auto-Tig torch 400W 6,0 m. Connection type D. 50/70	396.400.601
Auto TIG 400W-8D	Auto-Tig torch 400W 8,0 m. Connection type D. 50/70	396.400.801



### SPARE PARTS LIST

POS.	DESCRIPTION	PART. NO.	BAG	POS.	DESCRIPTION	PART. NO.	BAG
1	Alumina cup gas/lens gr.4 54N18	379.103.104	10	8	Collet Auto-Tig 400W ø 2,4	313.400.024	10
1	Alumina cup gas/lens gr.5 54N17	379.103.105	10	8	Collet Auto-Tig 400W ø 3,2	313.400.032	10
1	Alumina cup gas/lens gr.6 54N16	379.103.106	10	8	Collet Auto-Tig 400W ø 4,0	313.400.040	10
1	Alumina cup gas/lens gr.7 54N15	379.103.107	10	9	Electrode holder Auto-Tig 400W	321.400.101	1
1	Alumina cup gas/lens gr.8 54N14	379.103.108	10	10	O-ring ø 9x2 Auto-Tig	101.102.121	10
1	Alumina cup gas/lens gr.12 54N19	379.103.112	10	11	m.4,0 water-cooled cable Auto-Tig 400W	312.400.040	1
2	Alumina cup gas/lens gr.5 54N17L	379.103.205	10	11	m.6,0 water-cooled cable Auto-Tig 400W	312.400.060	1
2	Alumina cup gas/lens gr.6 54N16L	379.103.206	10	11	m.6,0 water-cooled cable Auto-Tig 400W	312.400.080	1
2	Alumina cup gas/lens gr.7 54N15L	379.103.207	10	12	Water hose Black ø 9/5	202.090.050	-
3	Collet body gas/lens Auto-Tig 400W ø 1,0	314.400.010	10	13	Hose clamp ø 10,5	101.106.205	10
3	Collet body gas/lens Auto-Tig 400W ø 1,6	314.400.016	10	14	Gas hose Back ø 8/5	166.081.051	1
3	Collet body gas/lens Auto-Tig 400W ø 2,4	314.400.024	10	15	Protection cover	175.300.280	1
3	Collet body gas/lens Auto-Tig 400W ø 3,2	314.400.032	10	16	Front spring cable asy Auto-Tig	141.106.108	1
3	Collet body gas/lens Auto-Tig 400W ø 4,0	314.400.040	10	17	Complete ball joint	356.138.001	1
4	Teflon gasket nozzle side Auto-Tig 400W	335.400.001	5	18	Dinse connector 50 mm <sup>2</sup>	442.100.111	-
5	Torch body Auto-Tig 400W complete	316.400.001	1	19	m. 4 Antishock cable with plug 90°	343.400.041	-
6	Torch body Auto-Tig 400W w/o electrode holder	316.400.101	1	19	m. 6 Antishock cable with plug 90°	343.400.061	-
7	Collet nut	317.400.101	1	19	m. 8 Antishock cable with plug 90°	343.400.081	-
8	Collet Auto-Tig 400W ø 1,0	313.400.010	10	20	Hose clamp ø 9,5	101.106.202	-
8	Collet Auto-Tig 400W ø 1,6	313.400.016	10				

# AWS - TIG

## ANTISHOCK & MOBILE SUPPORT FOR TIG TORCHES

POS.	DESCRIPTION		PART. NO.
A	"AWS-S" Antishock with soft spring "S" and Bracket		180.106.101
A	"AWS-M" Antishock with medium spring "M" and Bracket		180.106.102
A	"AWS-M" Antishock with hard spring "H" and Bracket		180.106.105
B	Complete Mobile clamp holder with slide for calibration and device application for cold wire		R-SFF40
C	Complete cold wire kit for wires $\varnothing$ 0,8		382.400.008
C	Complete cold wire kit for wires $\varnothing$ 1,0		382.400.010
C	Complete cold wire kit for wires $\varnothing$ 1,2		382.400.012
C	Tip $\varnothing$ 0,8 cold wire Auto-Tig		347.010.008
C	Tip $\varnothing$ 1,0 cold wire Auto-Tig		347.010.010
C	Tip $\varnothing$ 1,2 cold wire Auto-Tig		347.010.012
C	Pipe Auto-Tig cold wire (stainless steel)		363.107.102
C	Brass fitting Auto-Tig cold wire		350.109.102
D	Insulating reduction bushing $\varnothing$ 36/25		R-SCM25-001
D	Insulating reduction bushing $\varnothing$ 36/27		R-SCM27-001
D	Insulating reduction bushing $\varnothing$ 40/25		R-SCM25-002
D	Insulating reduction bushing $\varnothing$ 40/30		R-SCM30-001





**DELFO S.r.l.**

Via Benaco,1/3 - 20098  
San Giuliano Milanese - Milano - Italy  
Tel.: +39 02 87205264

e-mail: [info@delfoweld.com](mailto:info@delfoweld.com)  
**[www.delfoweld.com](http://www.delfoweld.com)**



**DELFO S.r.l.**

Via Benaco, 1/3 - 20098  
San Giuliano Milanese - Milano - Italy  
Tel.: +39 02 87205264

e-mail: [info@delfoweld.com](mailto:info@delfoweld.com)  
[www.delfoweld.com](http://www.delfoweld.com)